

Briton

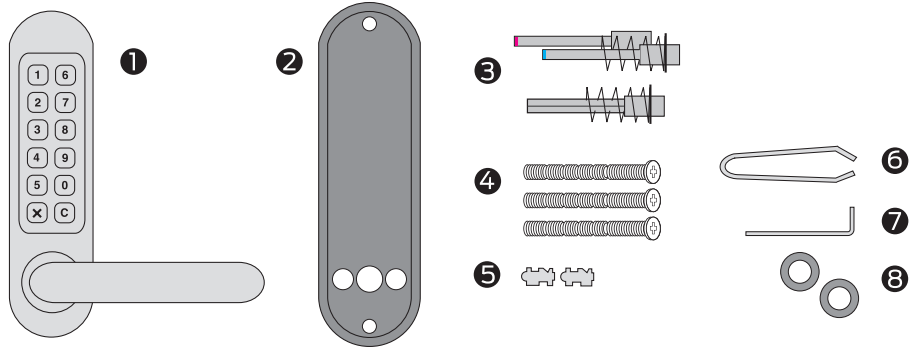
INSTALLATION INSTRUCTIONS

9260 Push Button Digital Lock

CONTENTS

BRITON 9260

1. Front plate and handle
2. Gasket x 1
3. Spindles x 3 (see below)
4. Countersunk bolts x 3 (1 x spare)
5. Spare code tumblers x 2
6. Tweezers for code changing x 1
7. Allen keys x 1
8. Inset cup washers x 2



SPINDLE PACKS

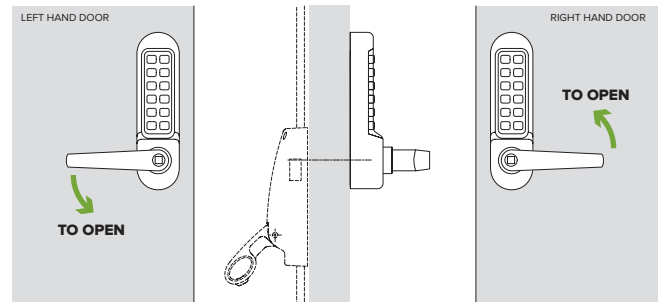
Spindle packs are supplied to suit the panic exit hardware fitted.

PACK 1 - For use with Briton 378 & 1438 (doors hinged on the right - blue tip, doors hinged on the left - red tip)

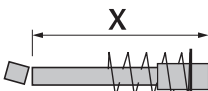
PACK 2 - For use with Briton 376 & 372 (45° spindle suits left and right hand doors)

FEATURES

- Push button code lock with 2047 non sequential code options
- Suitable for single & double doors (when fitted to the first opening leaf)
- Supplied with extra long spindles for doors 40mm to 70mm thick
- Reversible* lever operation for left and right hand doors
- Code changed by removing the unit from the door



FITTING INSTRUCTIONS

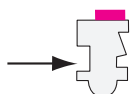
1. The position of the unit on the door is determined by the position of the panic device.
2. Mark the position of the spindle hole for the panic device on both sides of the door.
3. Place the lock gasket against the door with the 20mm hole centred over the mark for spindle hole. Using the gasket as a template mark the 2 x 8mm holes for the through fixing bolts. Repeat on the other side of the door.
4. Drill the 1 x 20mm hole and the 2 x 8mm holes, drilling from both sides to avoid splintering out the face of the door.
5. Countersink the bottom fixing hole as necessary so that the fixing bolt lies flush with the door face, underneath the panic device.
6. The selected spindle may need to be cut to size to suit the door thickness as shown opposite.
 For 376/372/378/1438 $X = \text{door thickness} + 24\text{mm}$
7. Cut 2 of the countersunk fixing bolts to suit your door thickness. Length of bolt should be door thickness plus approximately 10mm, or 1 to 2 break-off sections. Cut the bolts to one of the cutting points to avoid damaging the thread. Use the pliers cutting jaws to crimp strongly several times around the bolt. The surplus end should now break off easily.
8. Fit the lever handle to the Briton 9260 front unit and tighten the socket head screw in the handle. Enter the code of the Briton 9260 front unit and check that the lever will turn fully.
9. Fit the Briton 9260 front unit with the two fixing bolts with the inset cup washers. Insert the correct spindle according to the model of panic device, with the flat blade into the Briton 9260, ensuring the blade is at the correct angle for the hand of door. See diagram, step 8 of Code Change Instructions overleaf.
10. Install the panic device and make sure that the Briton 9260 front unit will fully retract the latch or bolts.

CODE CHANGE INSTRUCTIONS

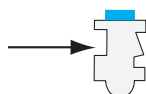
1. Take your Briton 9260 lock off the door by unscrewing the 2 bolts in the backplate.
2. Press the C button to reset the chamber and place the lock case on a flat surface with the buttons down.
3. Remove the 4 red screws and carefully lift off the code chamber plate. Check that all 12 springs are held in place on the plate.
4. Note that the red tipped code tumblers correspond in position to the existing code. The blue tipped non-code tumblers fill the other positions. The C tumbler is not coloured.
5. Hold the lock in your hand and depress the C button. Keeping the C button depressed use tweezers to re-position the tumblers to correspond with your new code. The square notches of ALL tumblers MUST face outwards, with the coloured tips ON TOP: See diagram below. DO NOT force the tumblers in.

NB: Holding the C button depressed whilst removing or replacing the tumblers is ESSENTIAL to avoid damaging the internal mechanism. DO NOT attempt to reposition the C tumbler.

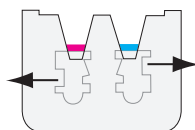
Red tipped code tumbler with square notch in low position



Blue tipped non-code tumbler with square notch in high position



Section through lockcase showing square notches in tumblers facing outwards



BLUE



Door hung on RIGHT viewed from the code side

RED



Door hung on LEFT viewed from the code side

6. Replace the code chamber plate carefully with the 4 red screws.
7. Check the operation of the new code, and make a written note of it before re-installing the lock.
8. Note: Fit either the BLUE or RED tipped spindle to the code side, dependant on hand of door.

MANY CODES TO CHOOSE FROM

The Briton 9260 code chamber consists of 11 buttons from which the code is selected, and a 'C' button which is used to re-set the chamber after an incorrect entry, and which must always be used as the first digit of a code. Buttons may only be used ONCE in a code. For example, 1212 is not possible.

A Briton 9260 code, or combination, can be entered 'C' plus in any order or sequence; eg 1234 can be 4321 or 1342 or whatever sequence is most convenient to remember.

With 11 buttons, a total of 2,047 different codes are available, any of which can be entered in any sequence.

The total is arrived at as follows:

'C' plus	1 digit	11 codes
'C' plus	2 digits	55 codes
'C' plus	3 digits	165 codes
'C' plus	4 digits	330 codes
'C' plus	5 digits	462 codes
'C' plus	6 digits	462 codes
'C' plus	7 digits	330 codes
'C' plus	8 digits	165 codes
'C' plus	9 digits	55 codes
'C' plus	10 digits	11 codes
'C' plus	11 digits	1 code

Most people will set a code in the range of 4 to 6 digits, and the total number of codes in this range is 1584.

The lock is factory set with a randomly selected 5 digit code starting with the C button.

The code is not recorded by the factory.

The code can be changed as often as required to any other 5 digit code.

Every new code must start with the C button. Using the spare tumblers, one red and one blue, the code length can be changed to 4 or 6 digits.

Shorter codes are possible, but 1 or 2 digit codes are not recommended.

MAINTENANCE

No maintenance of the working parts is necessary. DO NOT OIL. To maintain the finish the lock should be cleaned regularly with a soft cloth. A silicone spray or similar should be used to provide a protective film against grit and grime.