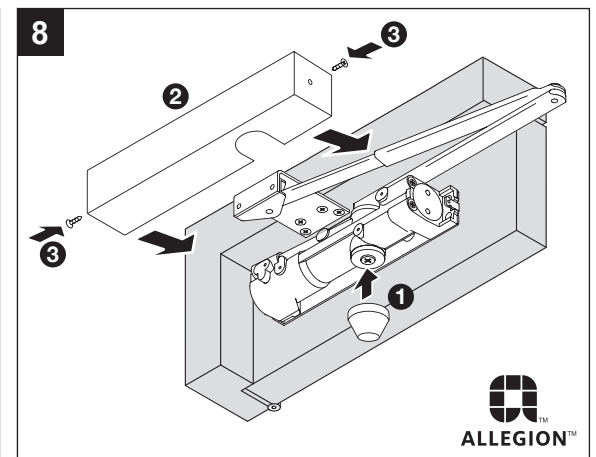
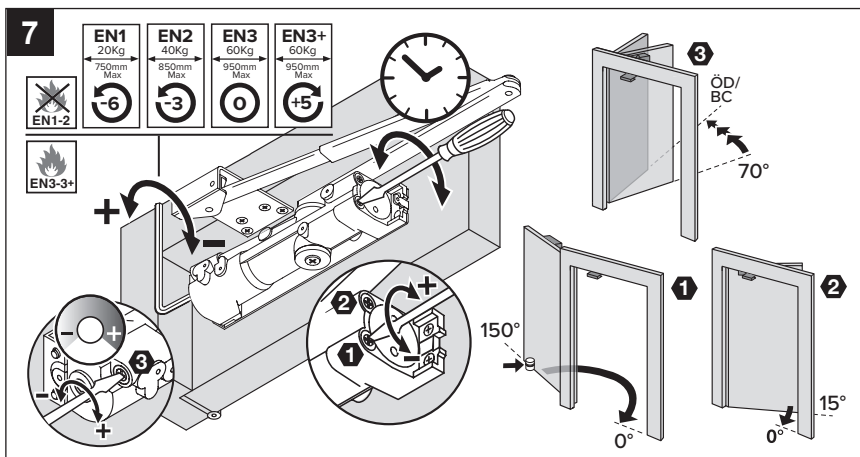
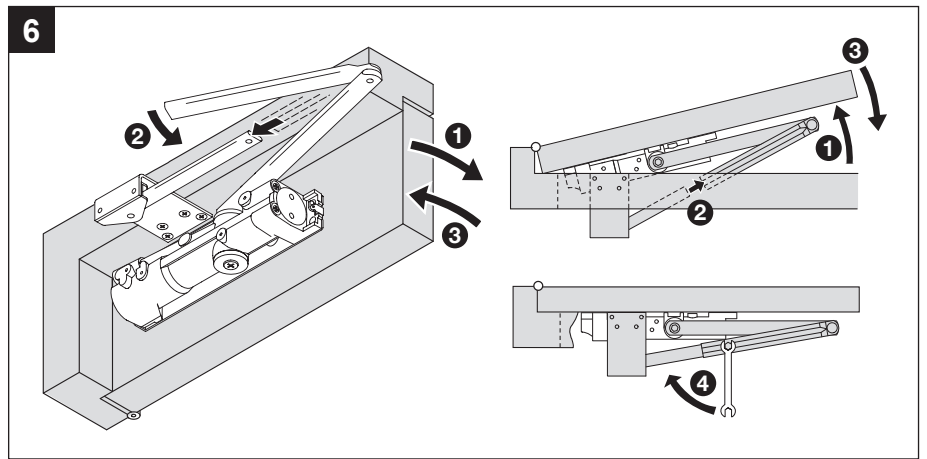
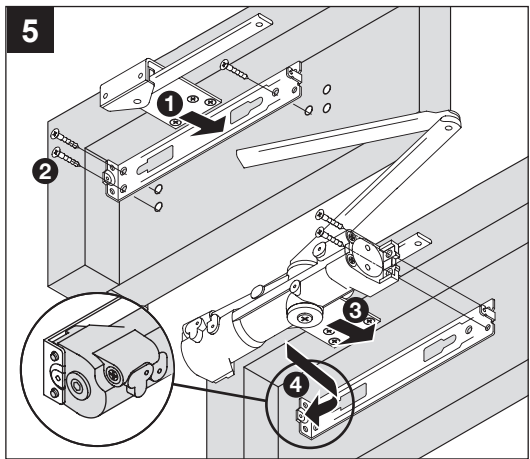
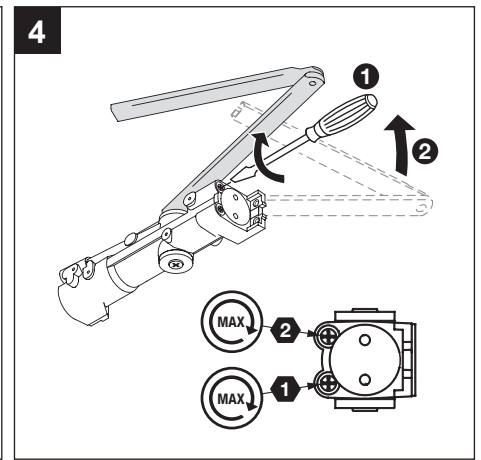
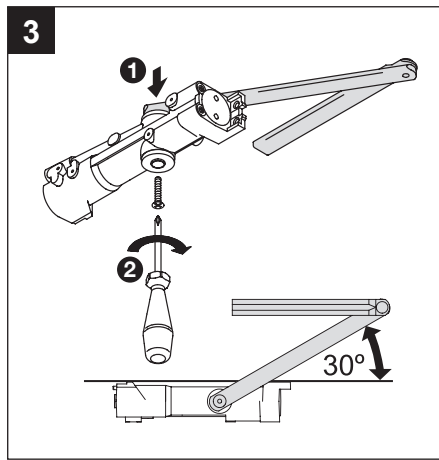
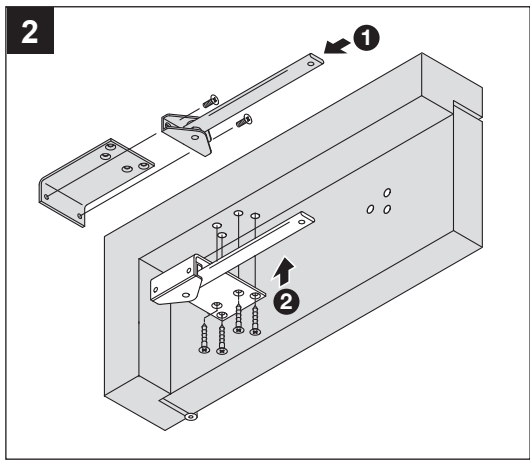
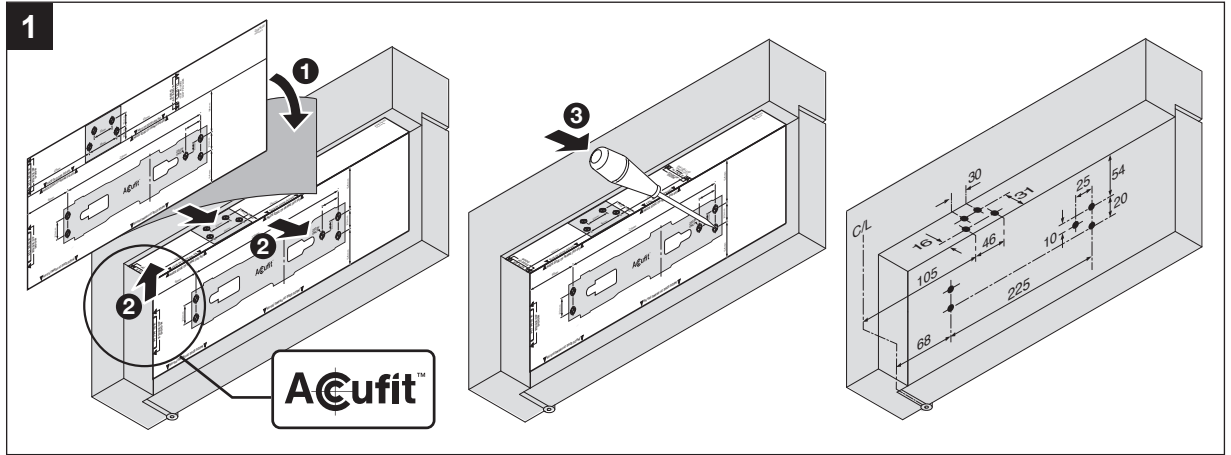
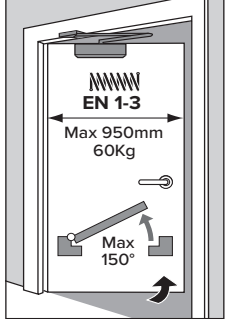
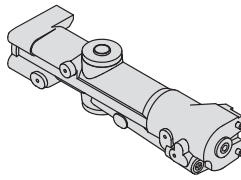


|                            |  |
|----------------------------|--|
| <b>CE</b>                  | Allegion (UK) Limited<br>35 Rocky Lane, Aston,<br>Birmingham, B6 5RQ, UK |
| 2812-CPR-AD0168            | 2005   |
| EN1154:1996+A1:2002        | 3 8 1/3 11 3   |
| Dangerous Substances: None |  |
| <b>UK<br/>CA</b>           | 1121-CPR-UK-AD7600   |
|                            | 2021   |



FIG.66





|                            |  |             |
|----------------------------|--|-------------|
| CE                         | Allegion (UK) Limited<br>35 Rocky Lane, Aston,<br>Birmingham, B6 5RQ, UK |             |
|                            | 2812-CPR-AD0168  | 2005        |
| EN1154:1996+A1:2002        |  | 3 8 1/3 113 |
| Dangerous Substances: None |  |             |
| UK<br>CA                   | 1121-CPR-UK- AD7600  |             |
|                            | 2021   |             |

