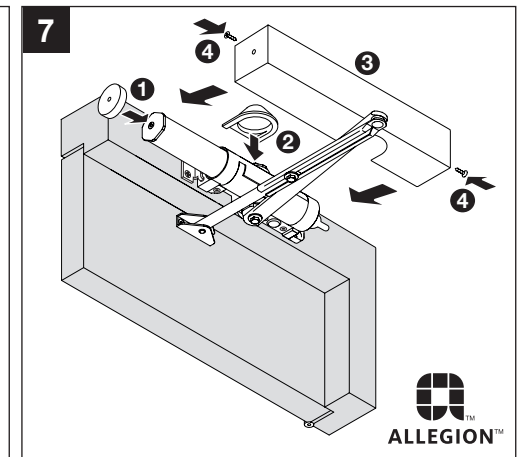
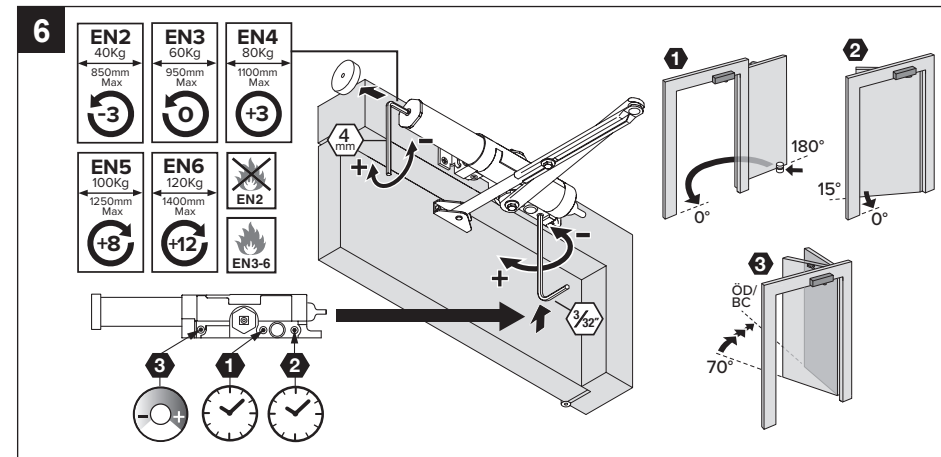
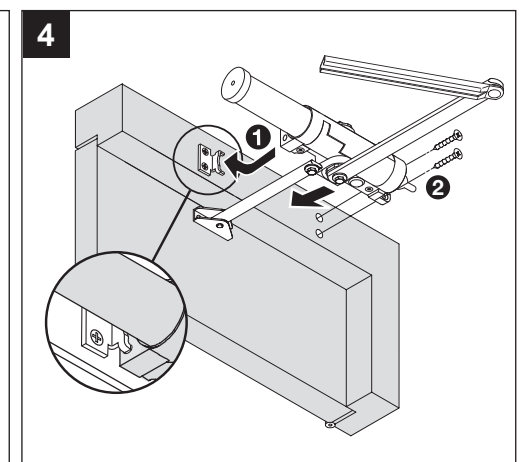
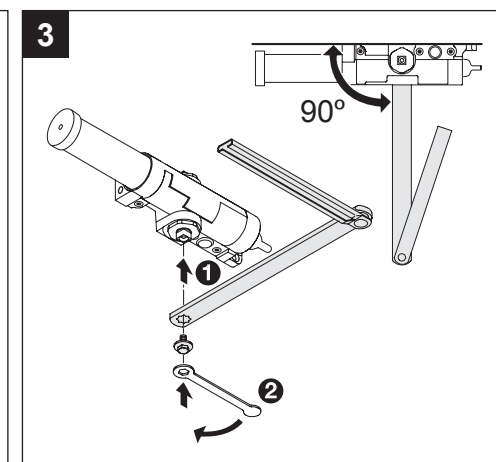
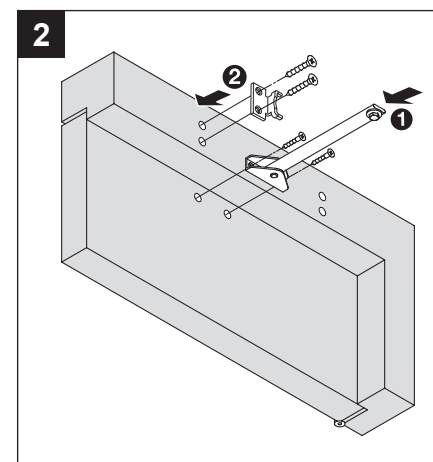
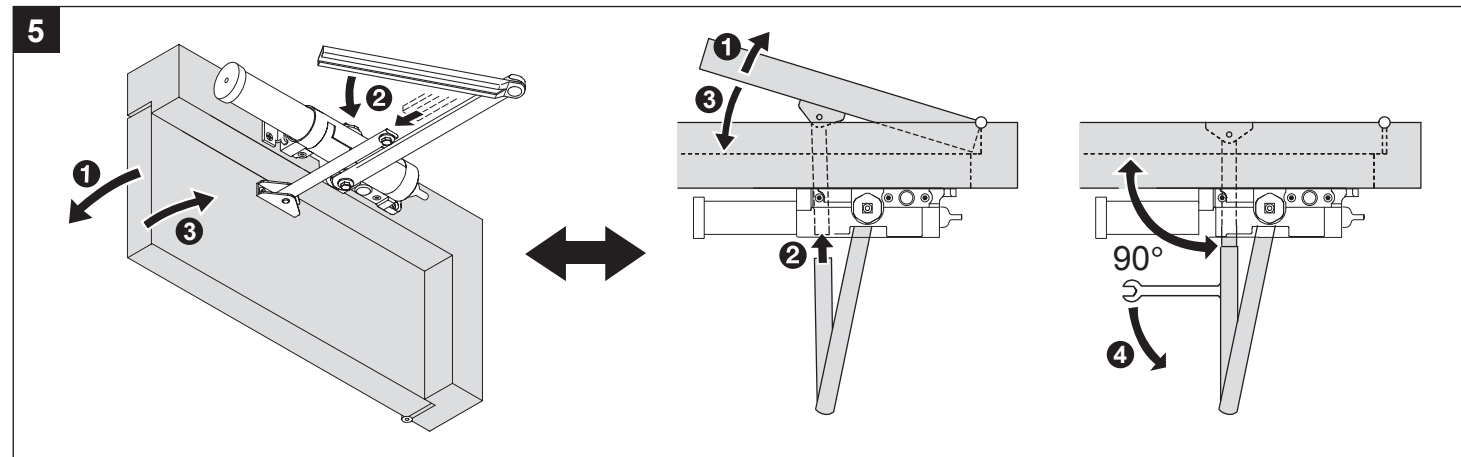
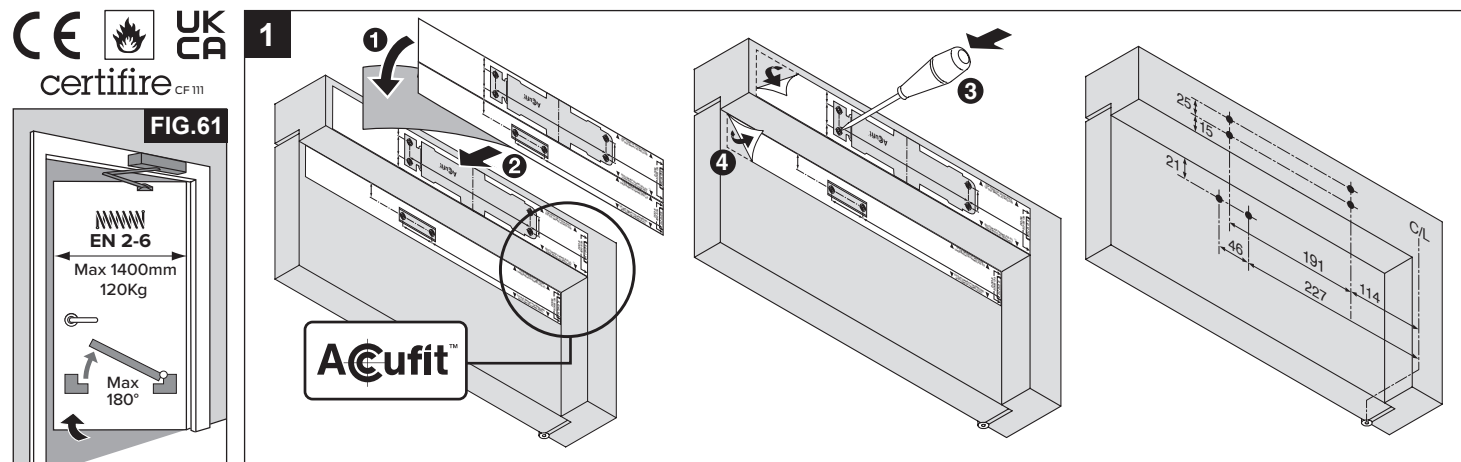
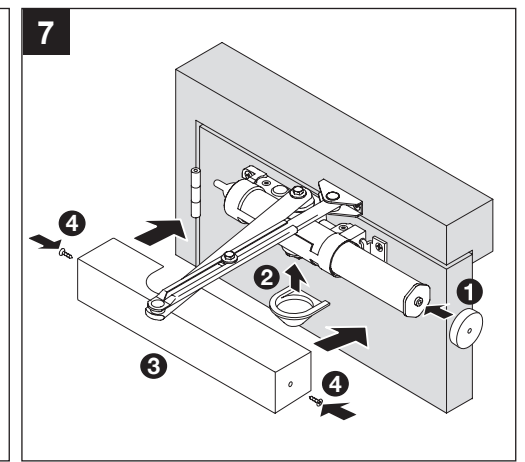
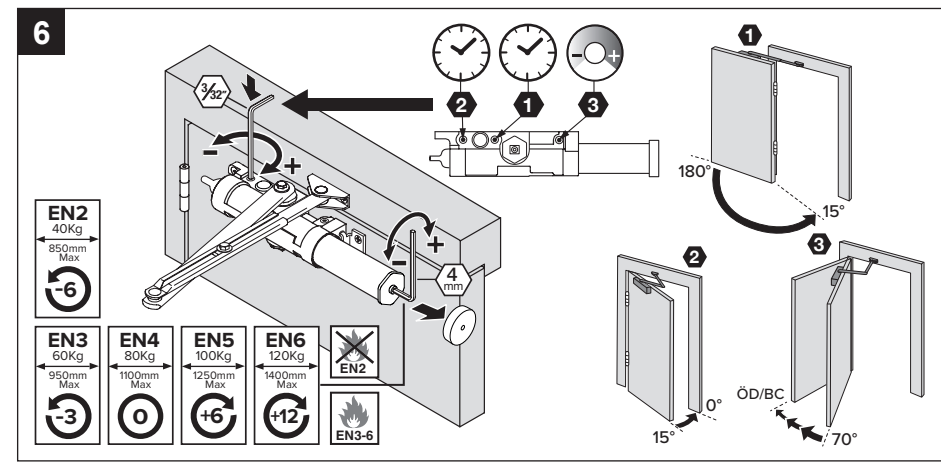
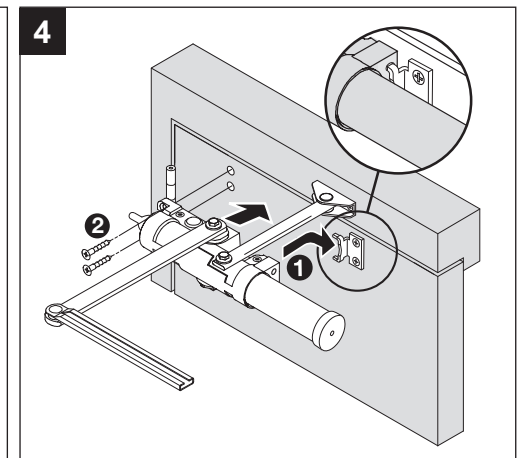
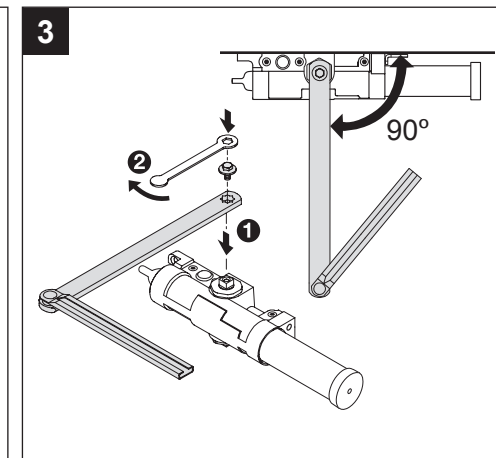
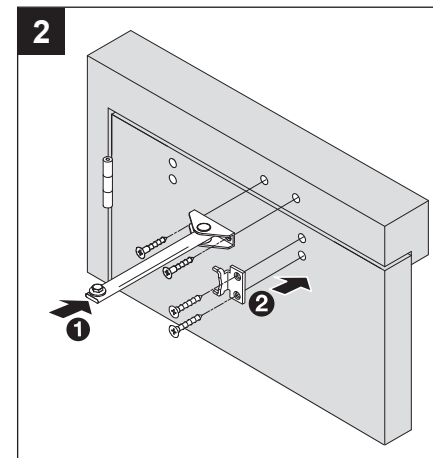
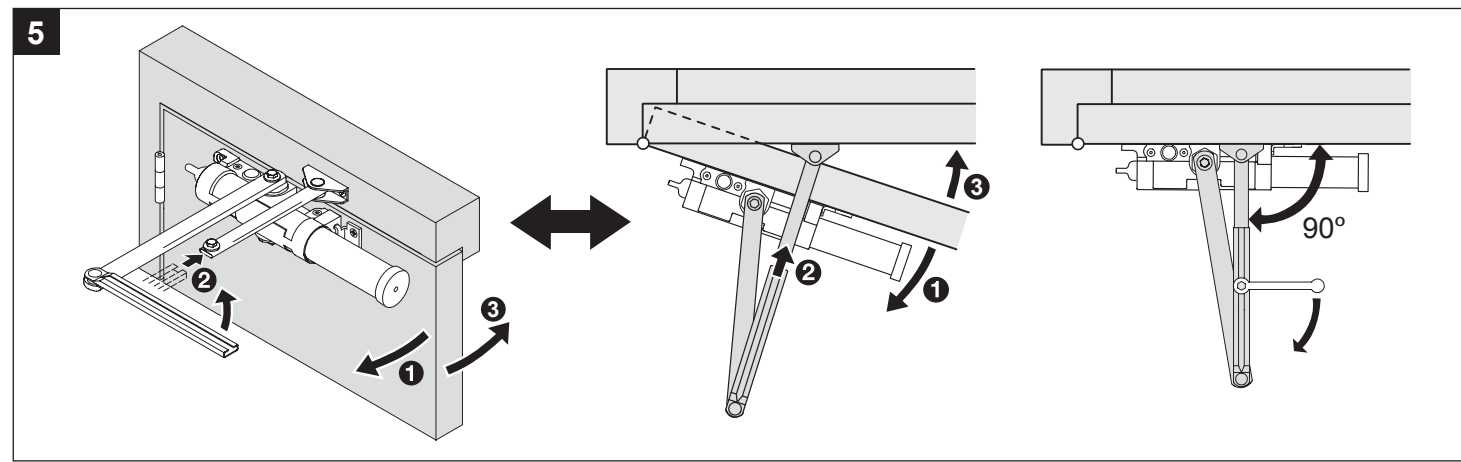
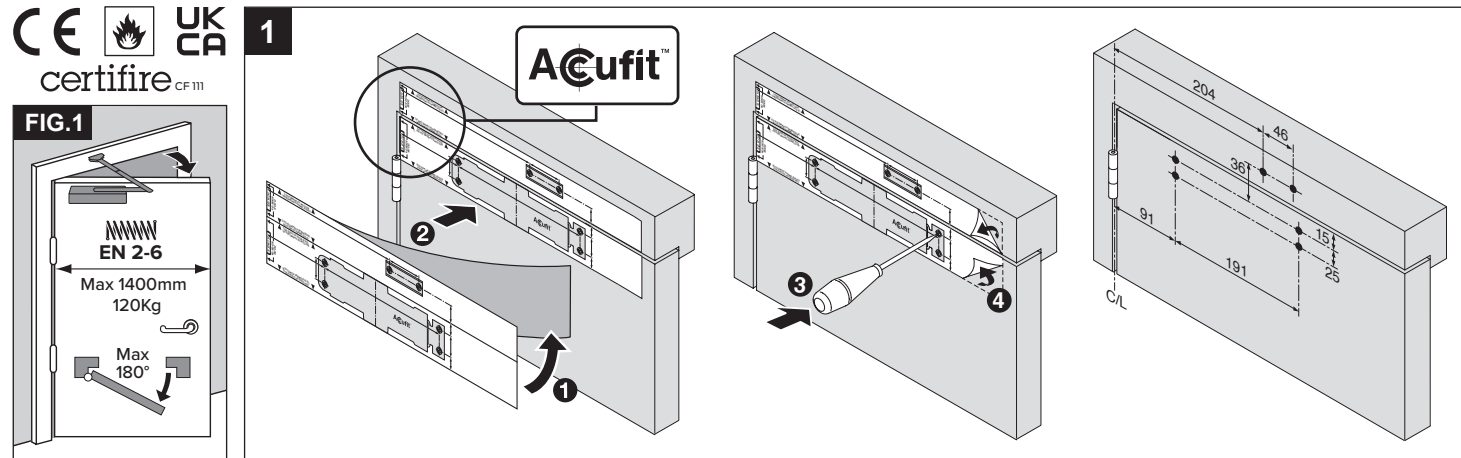
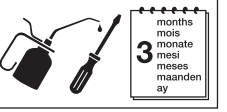
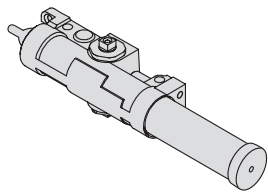


<b>CE</b>	Allegion (UK) Limited 35 Rocky Lane, Aston, Birmingham, B6 5RQ, UK
2812-CPR-AD0031	2004
EN1154:1996+A1:2002	4 8 2/611 3
Dangerous Substances: None	
<b>UK CA</b>	1121-CPR-UK-AD7578
	2021





<b>CE</b>	Allegion (UK) Limited 35 Rocky Lane, Aston, Birmingham, B6 5RQ, UK
2812-CPR-AD0031	2004
EN154-1996-A12002	4 8 2/6 11 3
Dangerous Substances: None	
<b>UK CA</b>	1121-CPR-UK-AD7578
	2021

