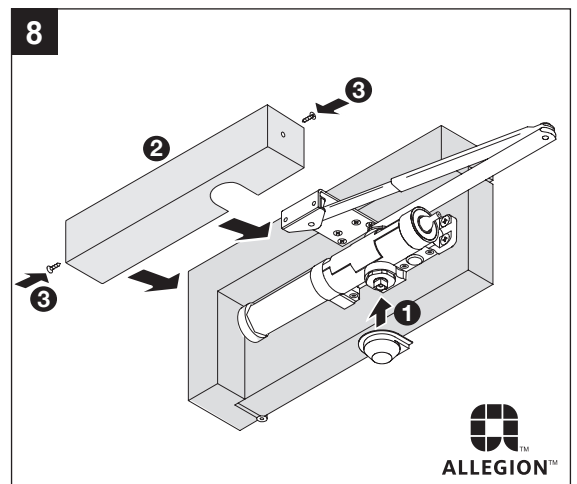
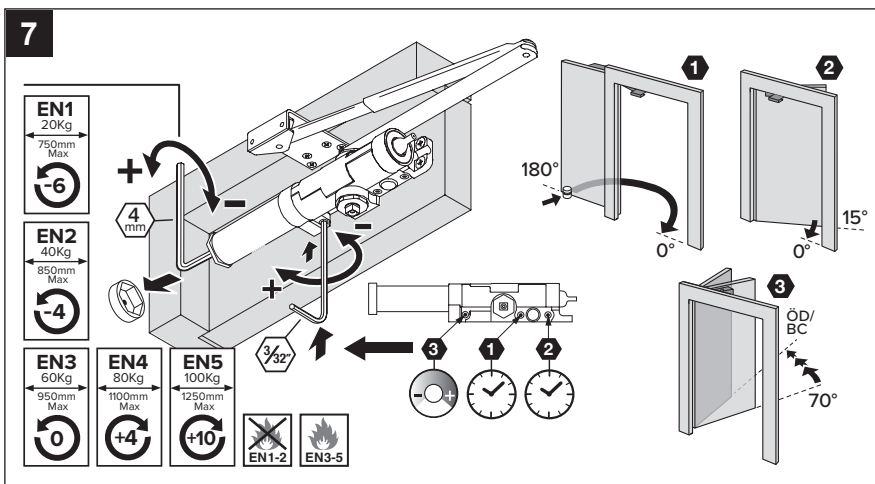
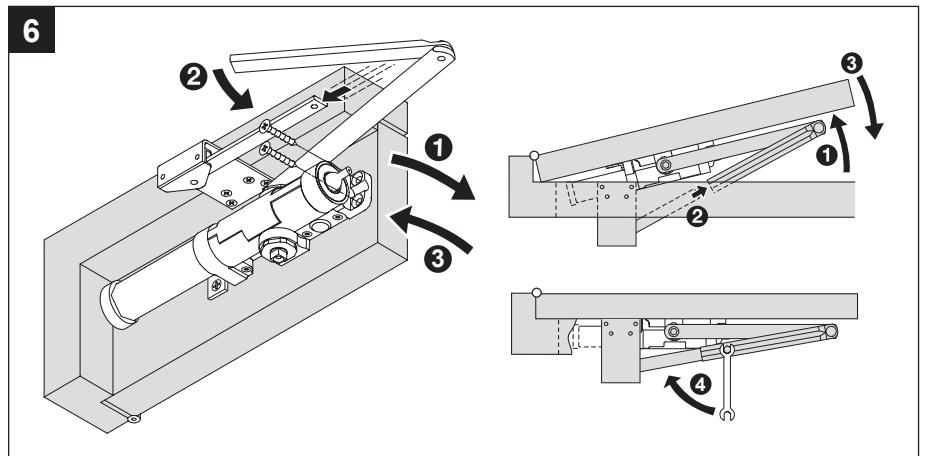
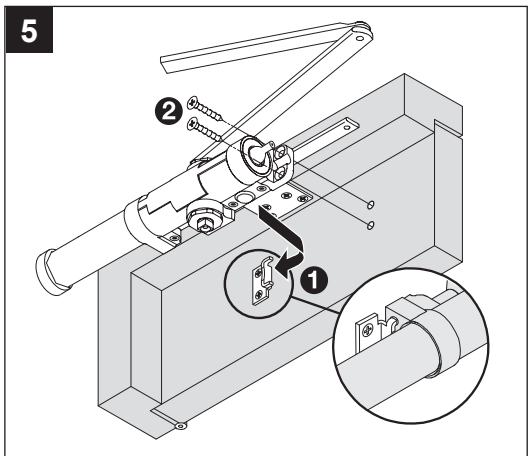
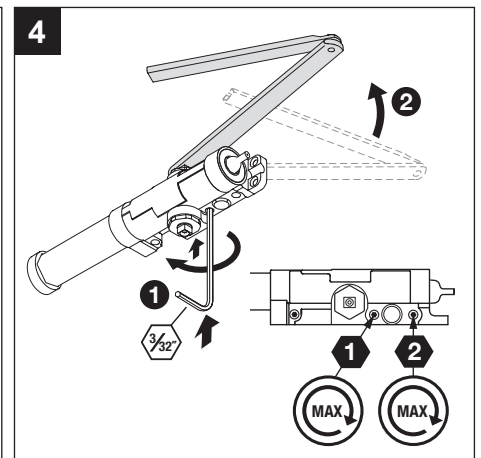
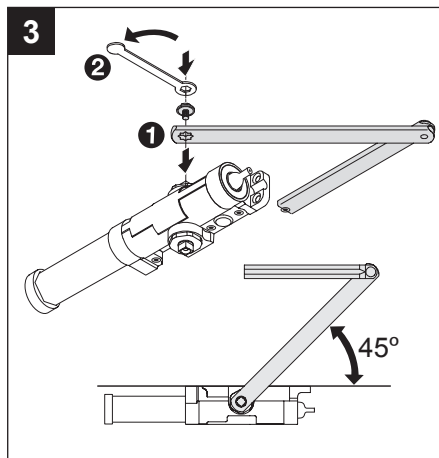
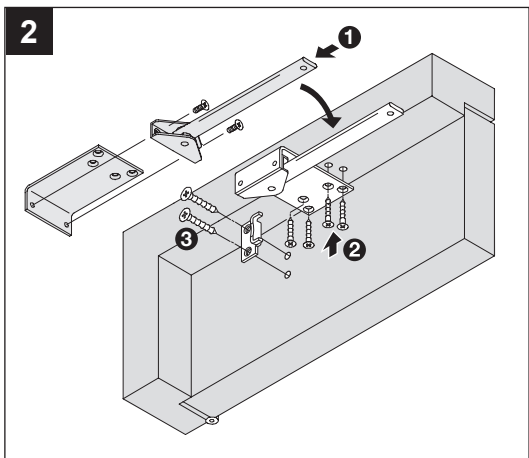
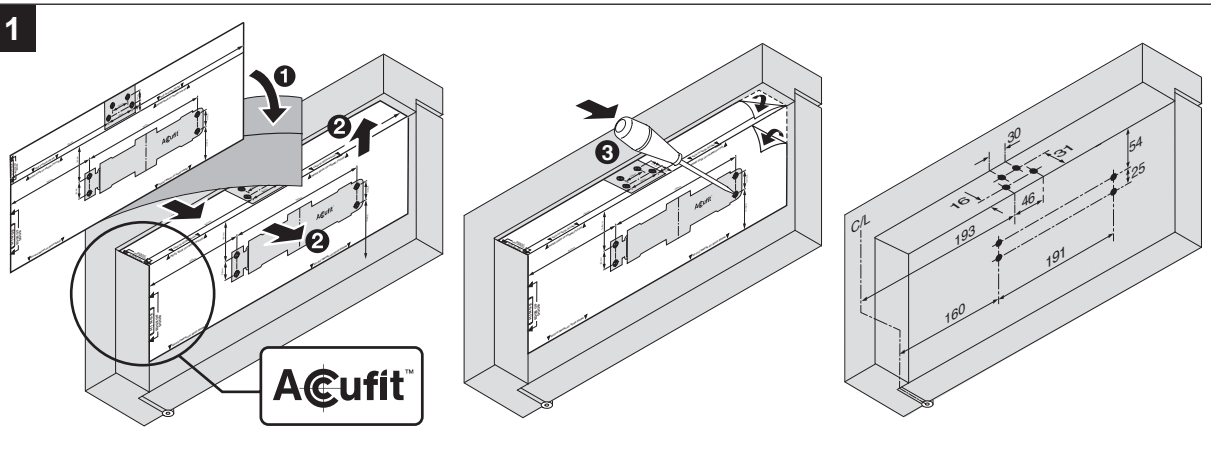
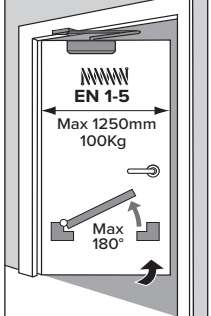


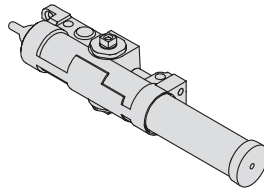
CE	Allegion (UK) Limited 35 Rocky Lane, Aston, Birmingham, B6 5RQ, UK
2812-CPR-AD0031	2004
EN1154:1996+A1:2002	4 8 1/511 3
Dangerous Substances: None	
UK CA	1121-CPR-UK- AD7578
	2021



CE **UK CA**
certifire CF111

FIG.66





CE	Allegion (UK) Limited 35 Rocky Lane, Aston, Birmingham, B6 5RQ, UK
2812-CPR-AD0031	2004
EN1154:1996+A1:2002	4 8 1/5113
Dangerous Substances: None	
UK CA	1121-CPR-UK-AD7578
	2021



1

