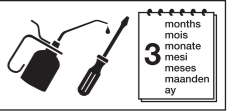
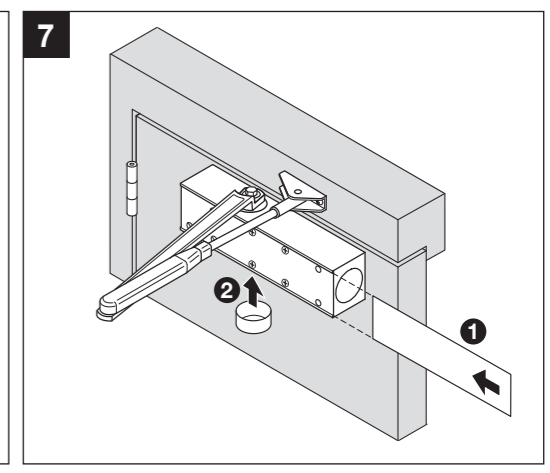
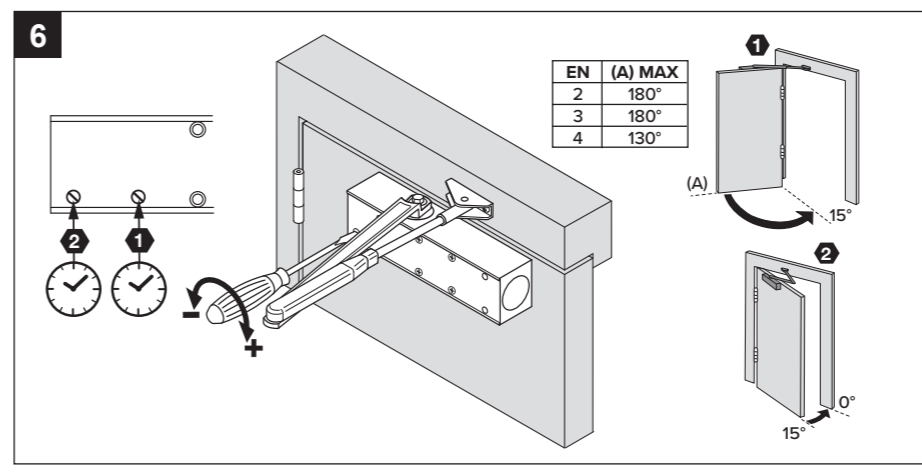
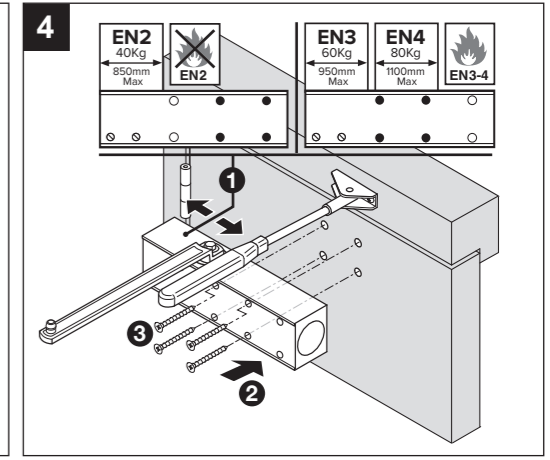
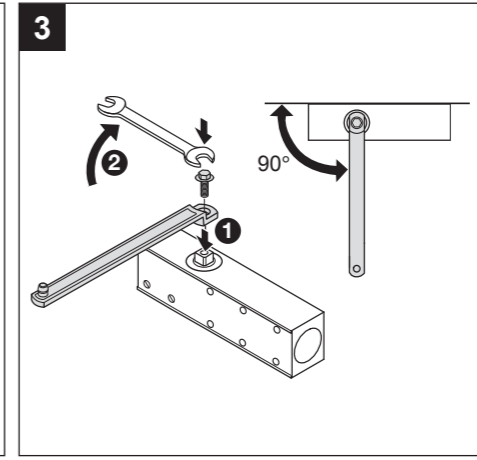
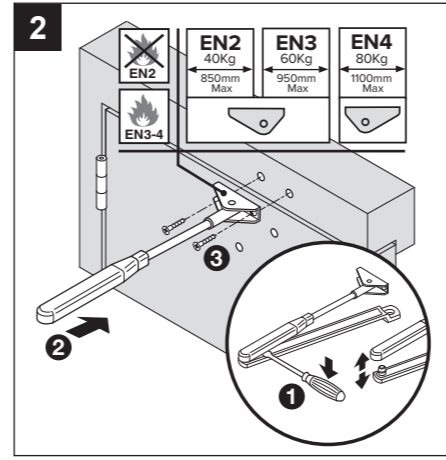
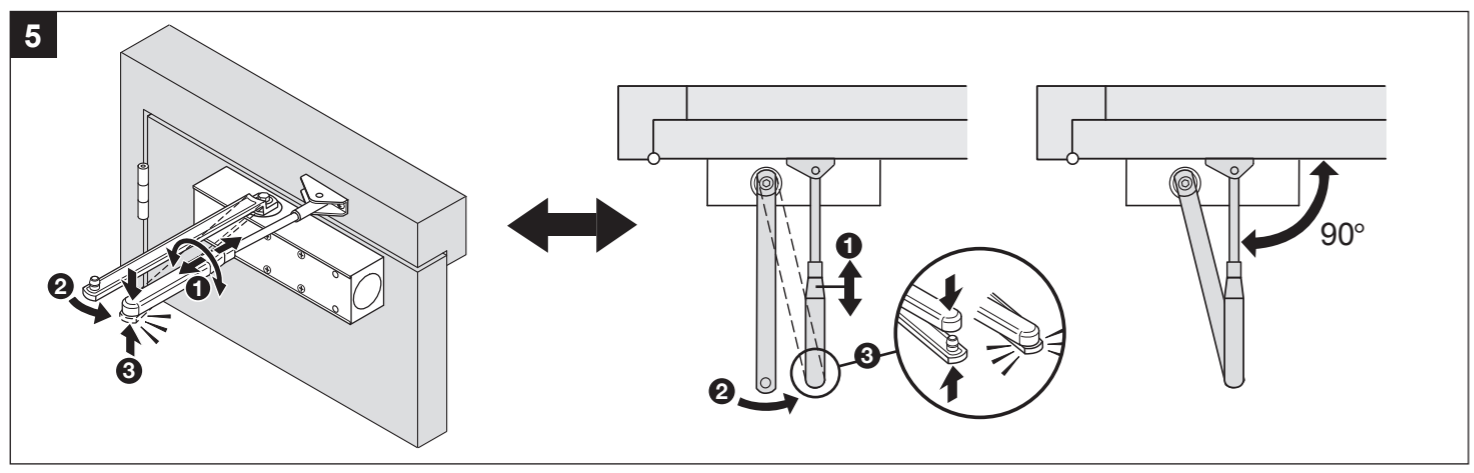
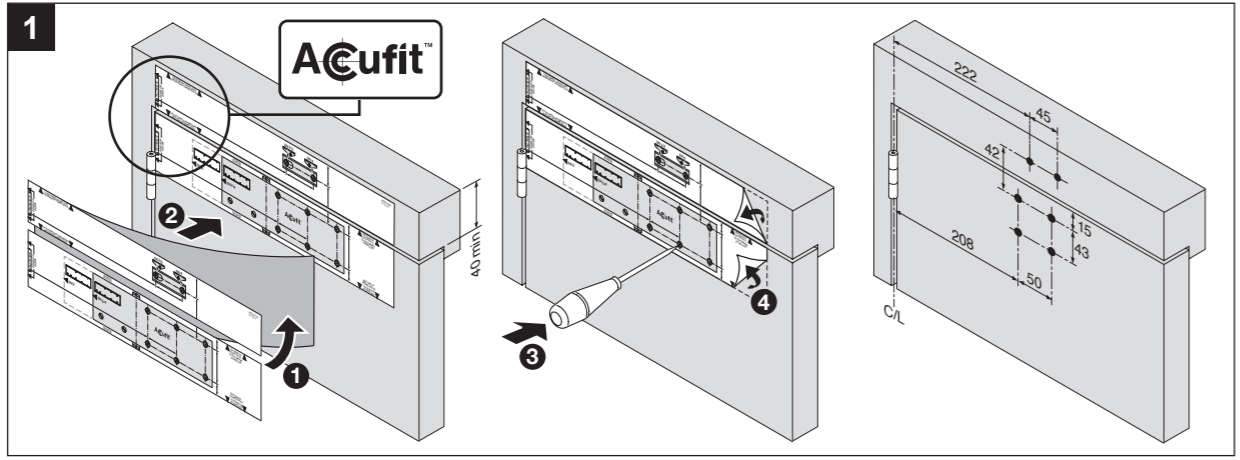
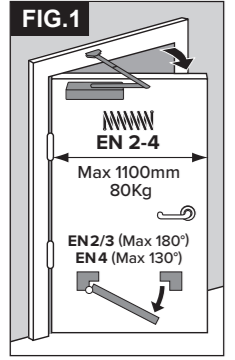


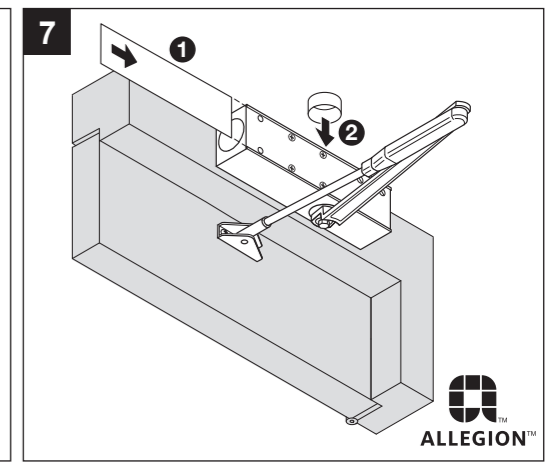
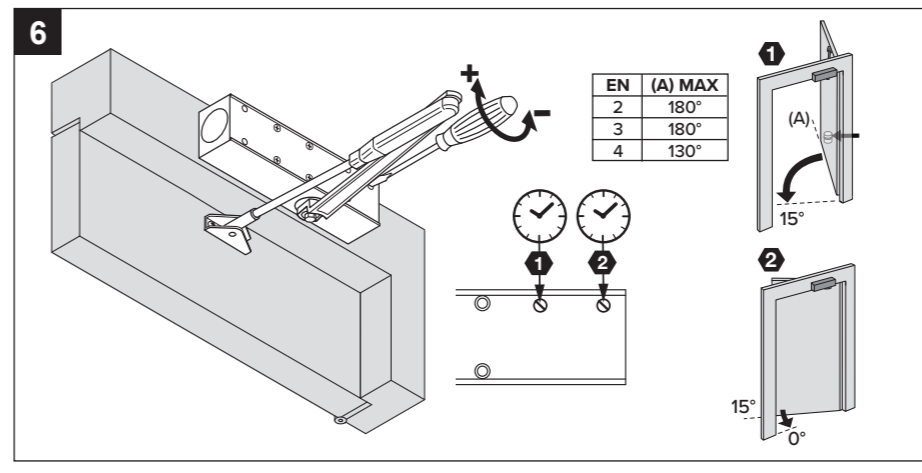
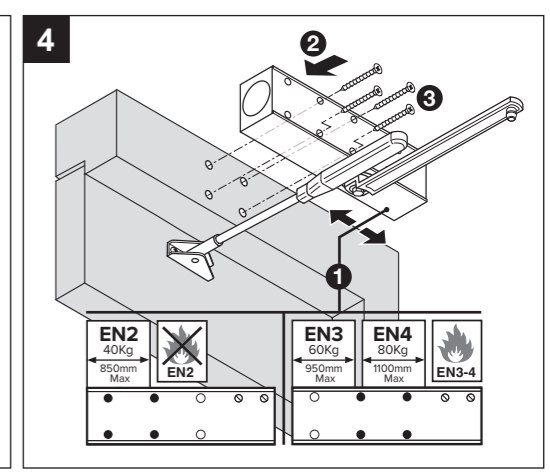
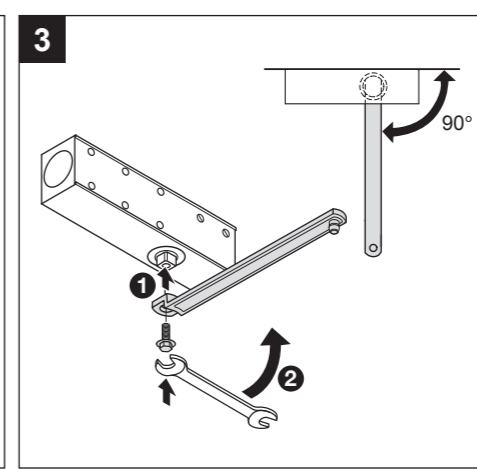
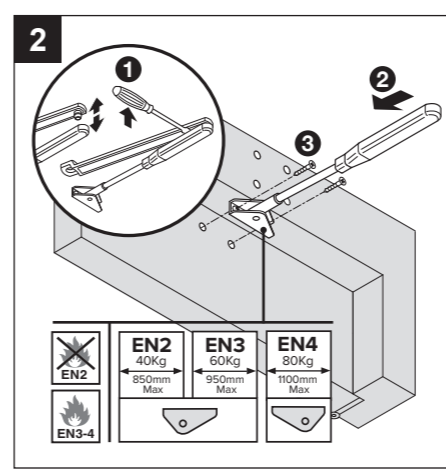
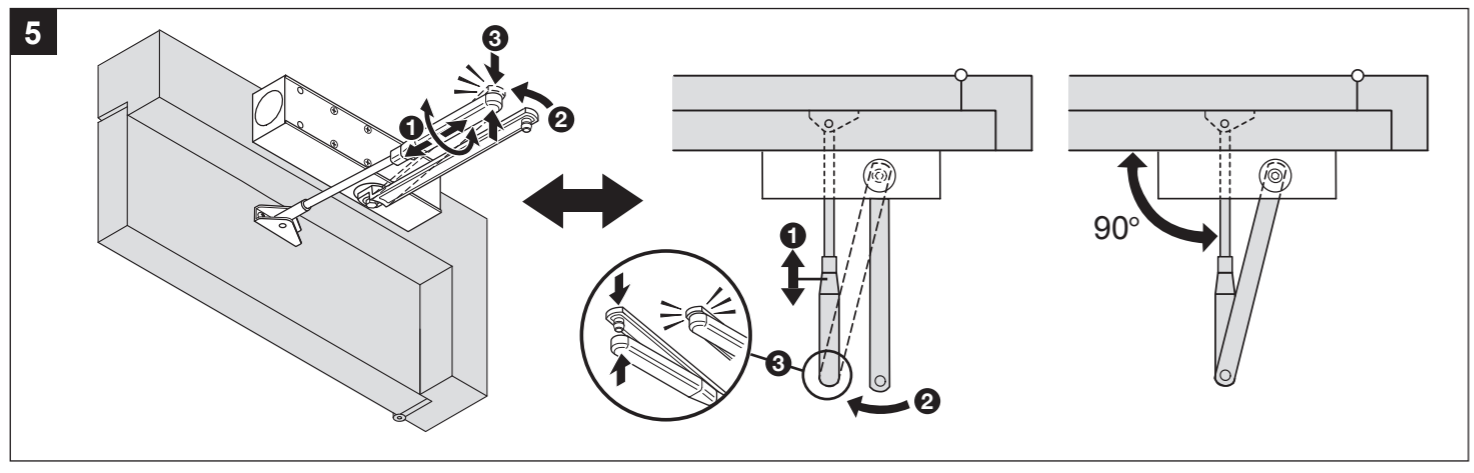
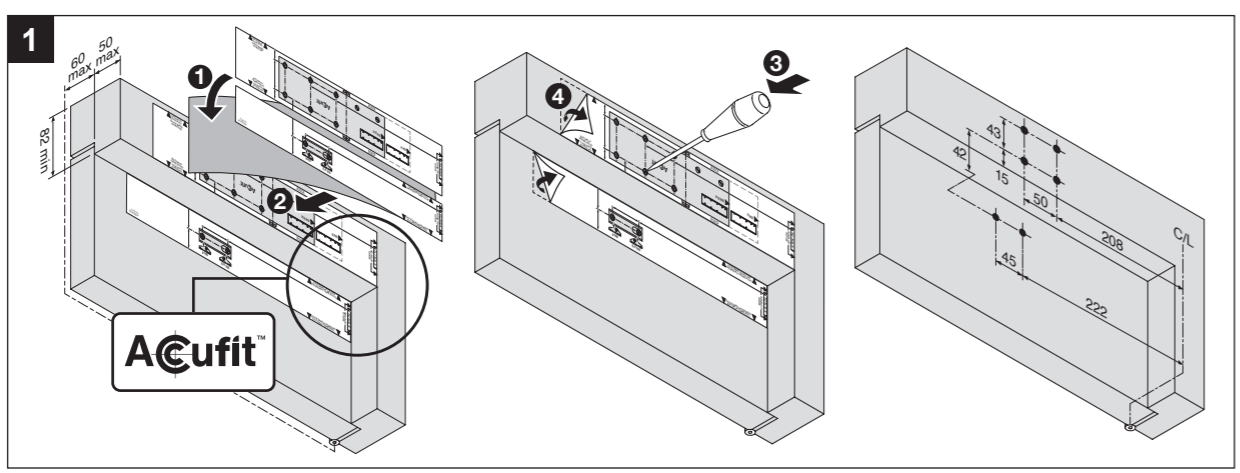
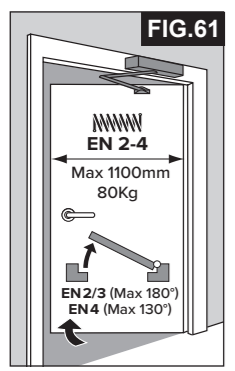
CE	Allegion (UK) Limited 35 Rocky Lane, Acton, Birmingham, B6 5RQ, UK
2812-CPR-AD0033	2004
EN1154:1996+A1:2002	3 8 2/4 1 3
Dangerous Substances: None	
UK CA	1121-CPR-UK-AD7580
	2021

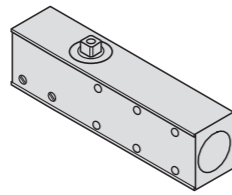


CE **UK CA**
certifire CF388

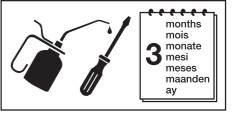


CE **UK CA**
certifire CF388

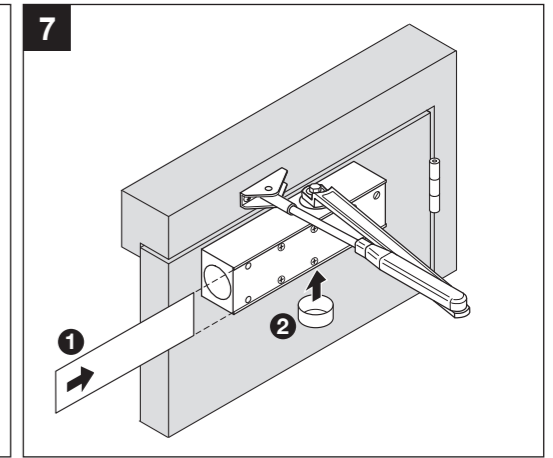
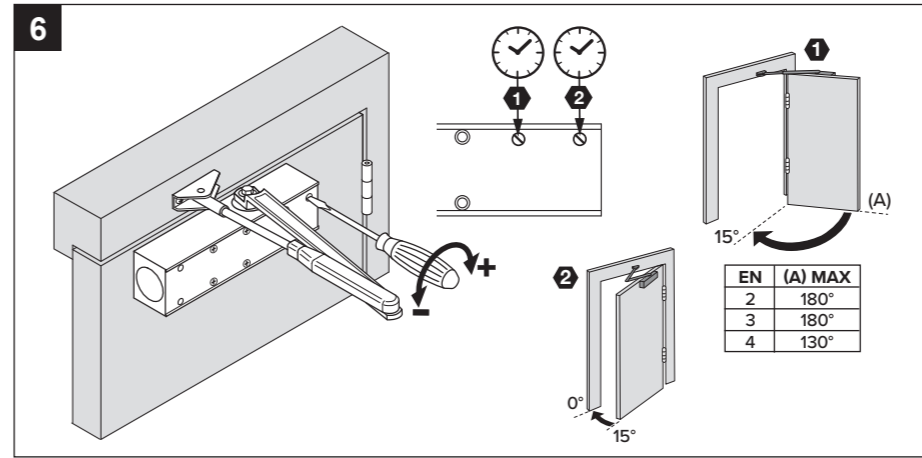
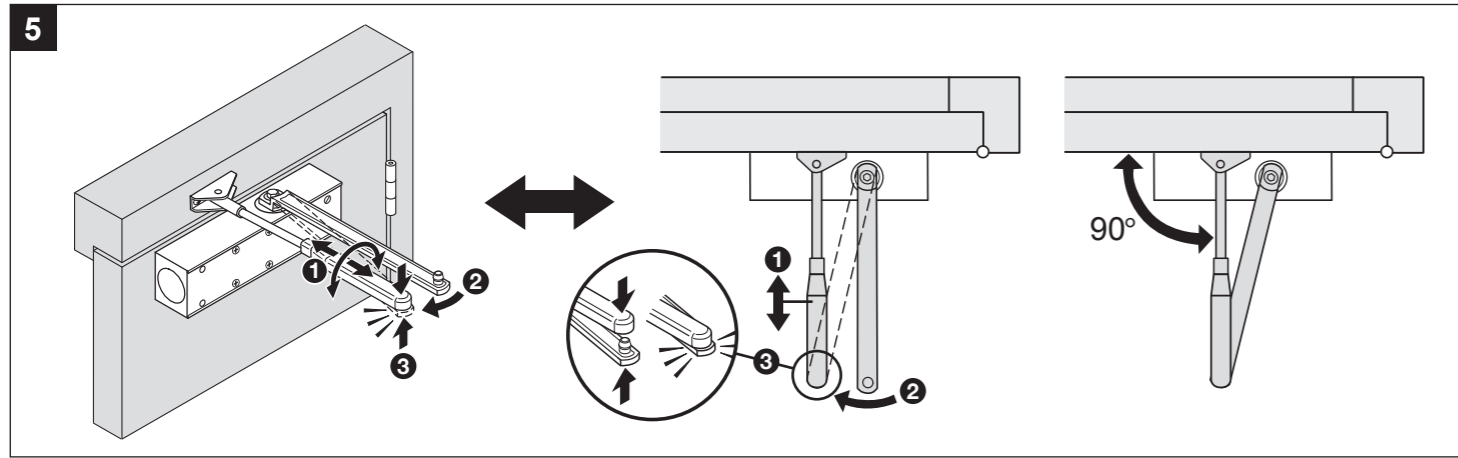
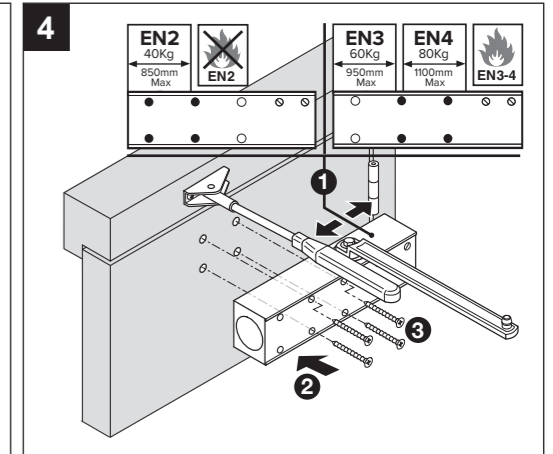
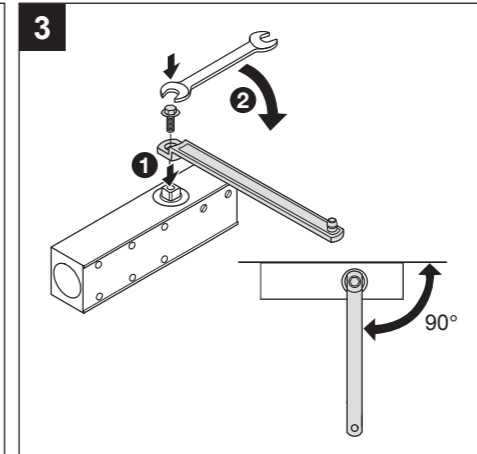
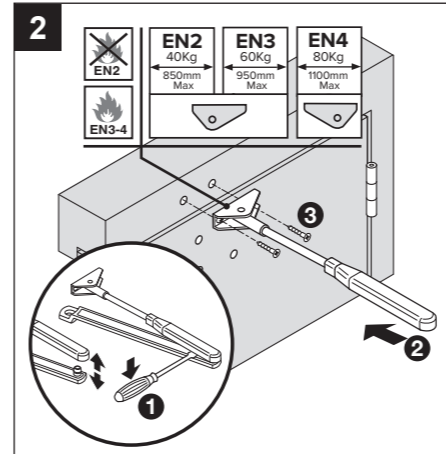
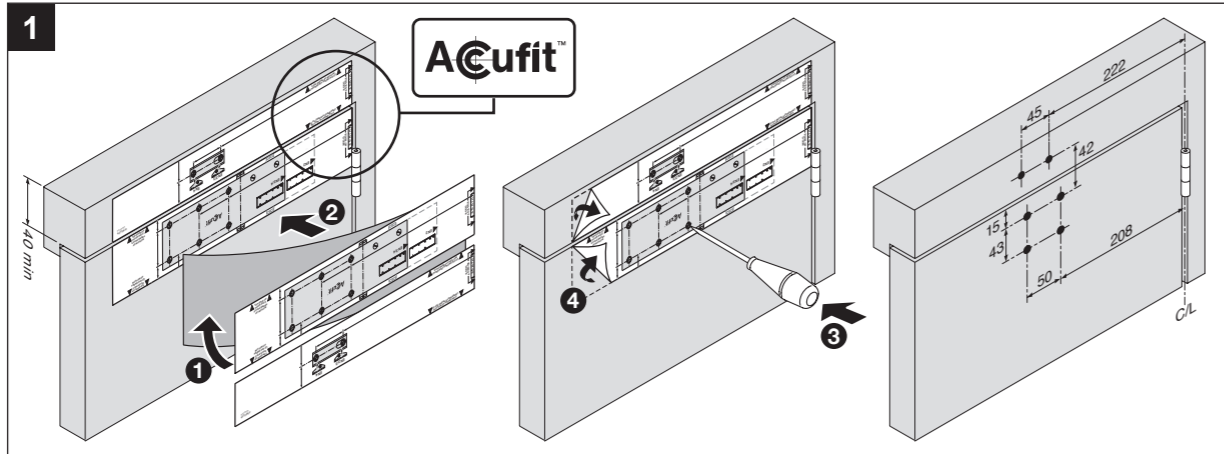
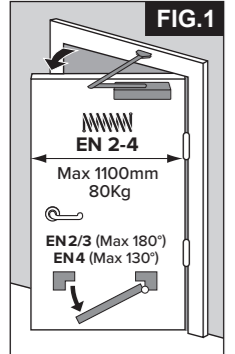




CE	Allegion (UK) Limited 35 Rocky Lane, Acton, Birmingham, B6 5RQ, UK
2812-CPR-AD0033	2004
EN1154-1996-A1:2002	3 8 2/4 1 3
Dangerous Substances: None	
UK CA	1121-CPR-UK-AD7580
	2021



CE **UK CA**
certifire CF388



CE **UK CA**
certifire CF388

