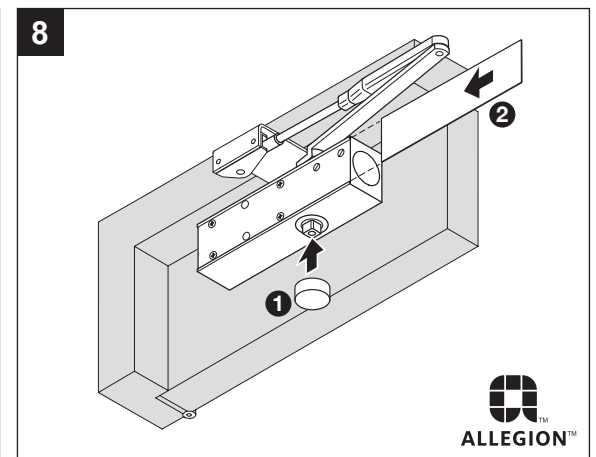
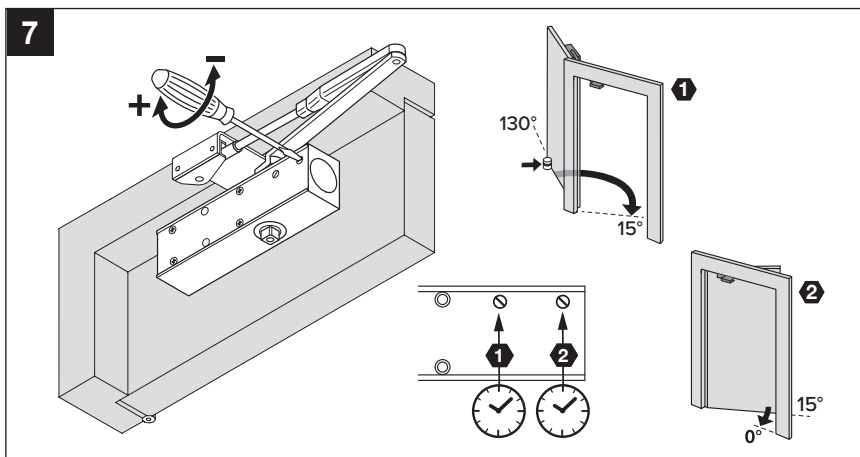
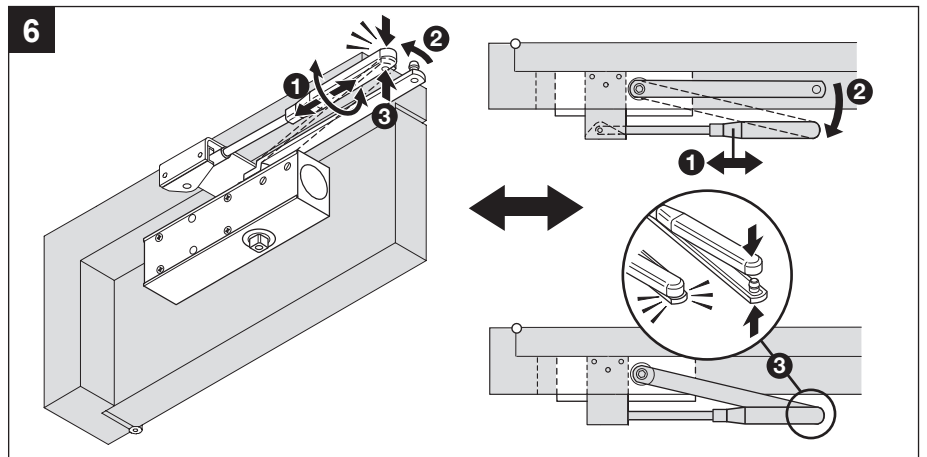
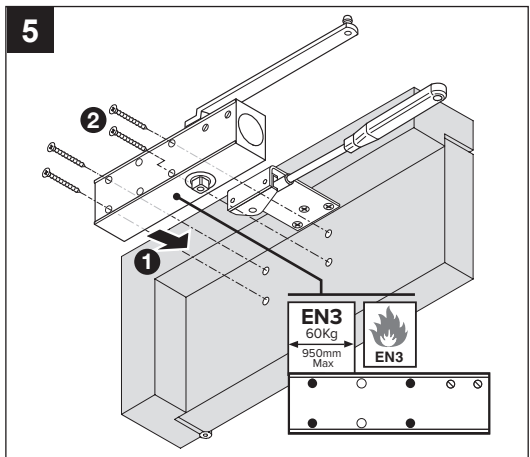
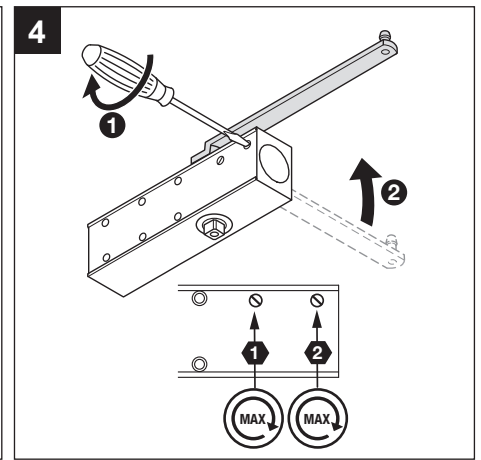
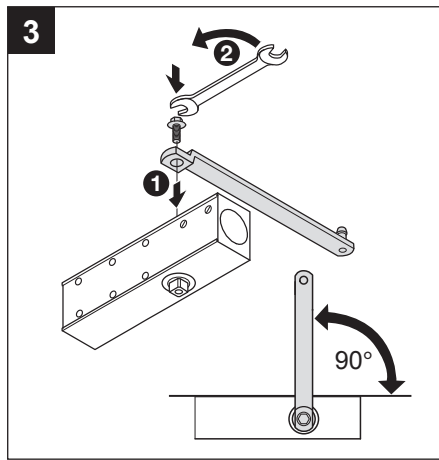
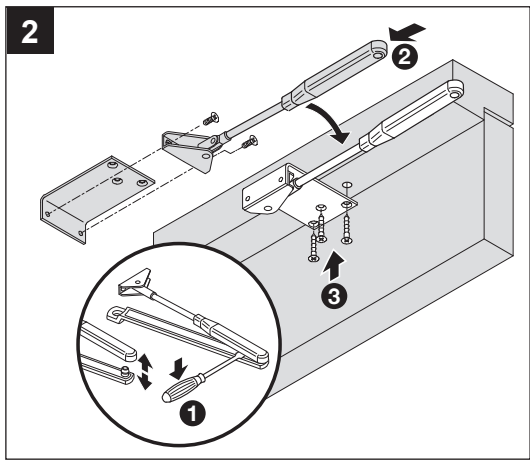
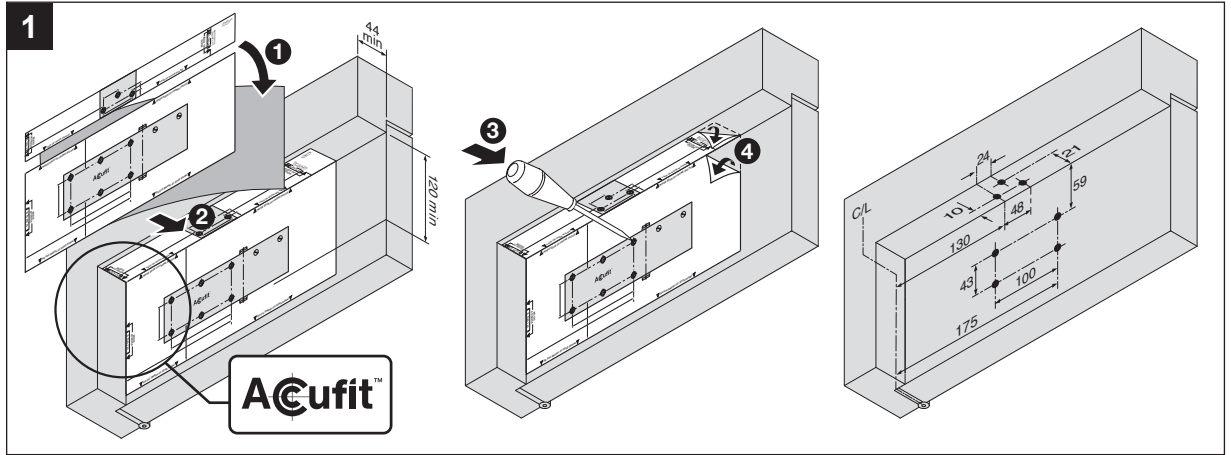
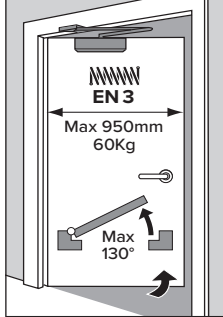
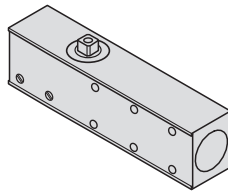


CE	Allegion (UK) Limited 35 Rocky Lane, Aston, Birmingham, B6 5RQ, UK
2812-CPR-AD0033	2004
EN1154:1996+A1:2002	3 8 3 1 1 3
Dangerous Substances: None	
UK CA	1121-CPR-UK- AD7580
	2021



FIG.66





CE	Allegion (UK) Limited 35 Rocky Lane, Aston, Birmingham, B6 5RQ, UK
2812-CPR-AD0033	2004
EN1154:1996+A1:2002	3 8 3 1 1 3
Dangerous Substances: None	
UK CA	1121-CPR-UK- AD7580
	2021

