

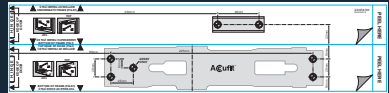
**Briton**  
DOOR CLOSERS

WITH **Accufit™**



# PEEL & STICK TEMPLATE FOR EASY, ACCURATE INSTALLATION

Accufit peel & stick templates support straightforward and accurate installation, delivering results that help to overcome the issues caused by incorrect installation.



Templates provided for door mount, parallel arm and transom mount applications.

**BRITON.CO.UK**  
TRUSTED SINCE 1907

**ALLEGION** 

**Briton**  
DOOR CLOSERS

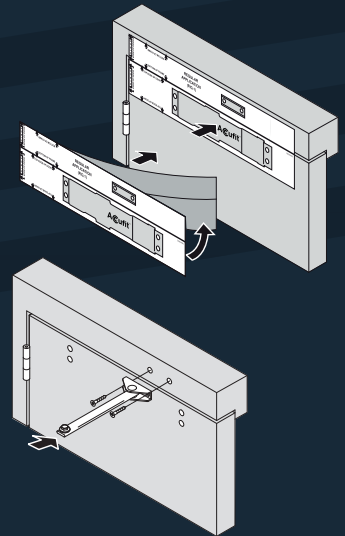
WITH **Accufit™**

**Accufit self-adhesive installation templates dramatically improve accuracy of fitting, reduce installation time and increase reliability.**

The Accufit system has been designed to simplify installation and improve accuracy of fitting to ensure the effective operation of the door and enhance the life of the product.

## THE BRITON ACCUFIT SYSTEM IN ACTION

- Select the correct fitting application and peel away the self-adhesive backing.
- Using the arrow triangles line up the self-adhesive template with the top edge of the door and smooth down in place.
- Repeat this process for the arm bracket or track arm depending on the fitting application or product selected.
- Mark the screw hole fixing positions onto the door/frame for the door closer body, arm bracket or track arm.
- Peel away the template to reveal the pilot holes on the door and frame.
- Follow the pictorial step by step fixing and mounting instructions.



**BRITON.CO.UK**  
TRUSTED SINCE 1907

Tel. 0330 8080 617

ALLEGION 