

Briton

370 SERIES

PANIC & EMERGENCY
EXIT HARDWARE



BRITON.CO.UK
TRUSTED SINCE 1907

Tel. 0330 8080 617

OVER 100 YEARS OF TRUST AND RELIABILITY

Back in 1907, we set the standard for door controls and exit hardware. Fast-track well over a century and we're still setting the standard for quality, durability and innovation.

PROVEN ABILITY

When you buy Briton, you're not simply getting something designed and engineered for trouble-free use. You're getting a product with an exceptional pedigree. Hardware that has proven itself continually within the world's busiest environments.

HARD-WON EXPERTISE

Only experience brings real expertise. That's why you'll find our British designed and engineered door and exit hardware right across the globe. In fact, you'll find them wherever someone wants to protect the people and property they love.

PROUD MEMBERS OF:



Raising Standards
Safety Assured



Fire exit





WE DON'T MEET STANDARDS – WE EXCEED THEM

If you want to be the best, good is never enough. That's why we make sure all the products we design and engineer are the best they can be.

ATTENTION TO DETAIL

Even after 100 years, we're still pushing for better. That drive ensures our products meet and exceed the highest possible quality and conformity certifications and European Standards.



WE'LL HELP YOU GET IT RIGHT

Sometimes it isn't easy making a choice – especially when it involves safety and security. That's why we do everything we can to help you select, install and maintain our hardware.



RIGOROUS TESTING

All products are thoroughly tested, so you know they're more than fit for purpose.



PRODUCT SELECTORS

Detailed product information makes selecting the right products a breeze.



TEMPLATES & FITTING

Need to check out measurements and fitting, just to make sure? It's all online.



TESTED & CERTIFIED

All certification is easy to download from our website for extra peace of mind.



THIRD PARTY APPROVED

All fire and smoke door assemblies are third-party fire tested and approved by Certifire. That means all product testing, assessment and manufacture has been checked and verified.



TECHNICAL SUPPORT

If you need a little extra help, our technical support team is always happy to lend a hand.



370 SERIES

BRITON EXIT HARDWARE

DESIGNED TO
PROVIDE IMMEDIATE
ESCAPE, FIRST TIME,
EVERY TIME.



QUALITY

In choosing a Briton panic or emergency exit device you are sure of the highest quality design and manufacture from the UK's most trusted brand, backed up with a 5 year guarantee.

PERFORMANCE

All our panic and emergency exit devices are fully certified to the latest standards, including fire testing on timber and metal doors and with Certifire Approval.

DURABILITY

Briton 370 Series devices are rigorously tested to ensure the highest levels of safety, security and durability are achieved, protecting buildings and their occupants.



When lives may depend on an exit device we feel we have a responsibility to design and test our products to exceed all current performance and safety standards, ensuring they will operate first time, every time.

The **Briton 370 Series** is designed to provide immediate escape without compromising on security and is independently tested and certified by accredited third parties to deliver on performance, quality and durability.

PANIC OR EMERGENCY?

It is a legal requirement for all exit devices to comply with the latest revisions of EN 1125 or EN 179 and to have UKCA and CE marking.

All Briton 370 Series exit devices have been tested and certified to prove compliance with these standards which govern the application of either panic or emergency exit hardware.

BUT WHICH STANDARD APPLIES TO WHICH APPLICATION?

PANIC EXIT HARDWARE provides safe and effective escape through doorways with minimum effort and without prior knowledge of operation. For use on outward opening doors in public buildings or buildings with more than 60 occupants, these devices are required to cover at least 60% of the door width to make them easy to find and operate in an emergency.

Typical applications include:
Shops / Schools / Hospitals / Theatres & Cinemas

EMERGENCY EXIT HARDWARE is used in buildings with less than 60 occupants or non-public buildings, where its users are familiar with the building's layout and means of escape.

Typical applications include:
Offices / Private Apartments / Store & Boiler Rooms

IF IN DOUBT, ALWAYS CHOOSE A PRODUCT CERTIFIED TO EN 1125



SAFETY & COMPLIANCE



EN CLASSIFICATION CODES

EN 1125 and EN 179 classify panic and emergency exit devices by using a 10 digit coding system. Each digit refers to a particular feature of the product measured against the standard's performance requirements.

It is mandatory for manufacturers to mark all panic and emergency exit devices with the UKCA & CE classification to prove compliance with the latest standards

To be sure our exit hardware meets UKCA & CE mark criteria we comply with all of the following requirements:

UKCA & CE certificates are readily available for inspection.

Products are regularly tested by an accredited test facility as part of an ongoing audit test programme.

Products are manufactured on a production line inspected and accredited under FPC (Factory Process Control) conditions. This ensures the consistent use of correctly specified materials and manufacturing methods.

A Declaration of Performance is available providing information on the product's performance.

Below is a breakdown of how each of the criteria is measured as part of the classification.

	3 (3)	Category of use Class 3 = high frequency of use by public and others with little incentive to exercise care.
Durability (Cycle Testing) Grade 6 - 100,000 cycles Grade 7 - 200,000 cycles	7 (6/7)	
	6 (5-7)	Door size/mass Class 5 - doors up to 100kg Class 6 - doors up to 200kg. Class 7 - doors over 200kg.
Fire Resistance (EN 1634) Grade 0 - not approved for fire/smoke door assemblies Grade A - approved for smoke door assemblies Grade B - approved for use on fire & smoke door assemblies	B (0/A/B)	
	1 (1)	Safety All panic and emergency devices have a critical safety function therefore only Grade 1 is identified.
Corrosion Resistance (EN 1670) Grade 3 - high resistance Grade 4 - very high resistance	3 (3/4)	
	2 (2-5)	Security EN 1125 - Grade 2 - 1000N EN 179 - Grade 2 - 1000N - Grade 3 - 2000N - Grade 4 - 3000N - Grade 5 - 5000N
Projection of Device Grade 1 - projection up to 150mm Grade 2 - projection up to 100mm	2 (1/2)	
	A (A/B)	Type of Operation EN 1125 Type A - 'Push Bar' Type B - 'Touch Bar' EN 179 Type A - 'Lever Handle' Type B - 'Push or Pull Pad'
Field of Door Application Category A - Single or Double door - active or inactive leaf Category B - Single door only Category C - Double door - inactive leaf only Category D (EN 179 only) - Inward opening single exit door	A	

To comply with EN 1125 & EN 179, the door leaf must not exceed 2500mm (h) x 1300mm (w) x 200kg weight.

PRODUCT SELECTOR

USE THIS **3 STEP GUIDE** TO FIND THE RIGHT PRODUCTS FOR YOUR APPLICATION

1 DETERMINE IS THE DOOR **PUBLIC** OR **NON PUBLIC**

2 SELECT YOUR **DOOR CONFIGURATION** - SINGLE OR DOUBLE

3 DECIDE **LOCKING OPTIONS** SINGLE OR MULTI POINT

SINGLE DOORS

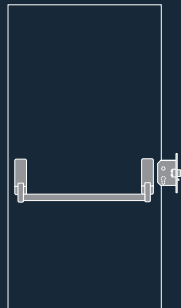


EN 1125 PANIC ESCAPE DOORS IN PUBLIC AREAS

SINGLE POINT LOCKING

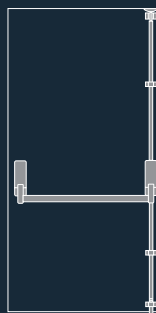


378
+ options (P13)



379.N
+ options (P14)

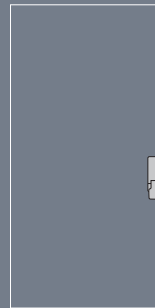
TWO POINT LOCKING



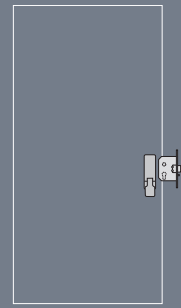
376
+ options (P12)

EN 179 EMERGENCY ESCAPE DOORS IN NON-PUBLIC AREAS

SINGLE POINT LOCKING

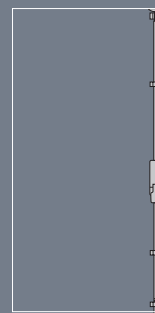


1438
+ options (P17)



389.N
+ options (P18)

TWO POINT LOCKING



372
+ options (P16)

Optional components are available to suit specific performance requirements. See the relevant pages for full details.

PRODUCT SELECTOR

USE THIS **3 STEP GUIDE** TO FIND THE RIGHT PRODUCTS FOR YOUR APPLICATION

1 DETERMINE IS THE DOOR **PUBLIC** OR **NON PUBLIC**

2 SELECT YOUR **DOOR CONFIGURATION** - SINGLE OR DOUBLE

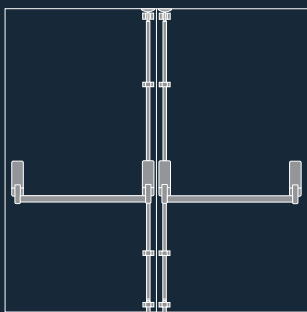
3 DECIDE **LOCKING OPTIONS** SINGLE OR MULTI POINT

NON-REBATED DOUBLE DOORS



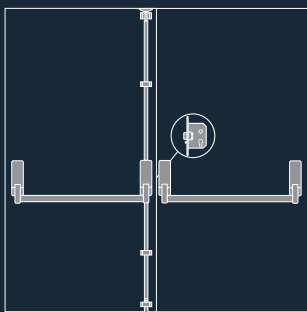
EN 1125 PANIC ESCAPE DOORS IN PUBLIC AREAS

FOUR POINT LOCKING



376 + 376
+ options (P.12)

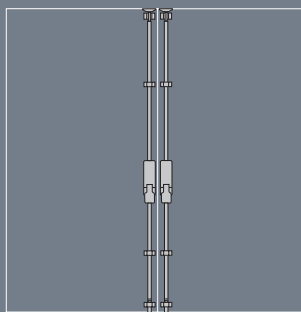
THREE POINT LOCKING



376 + 379.N
+ options (P.12 & P.14)

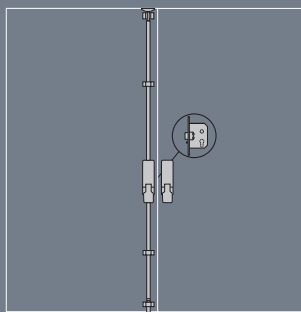
EN 179 EMERGENCY ESCAPE DOORS IN NON-PUBLIC AREAS

FOUR POINT LOCKING



372 + 372
+ options (P.16)

THREE POINT LOCKING



372 + 389.N
+ options (P.16 & P.18)

Optional components are available to suit specific performance requirements. See the relevant pages for full details.

PRODUCT SELECTOR

USE THIS **3 STEP GUIDE** TO FIND THE RIGHT PRODUCTS FOR YOUR APPLICATION

1 DETERMINE IS THE DOOR **PUBLIC** OR **NON PUBLIC**

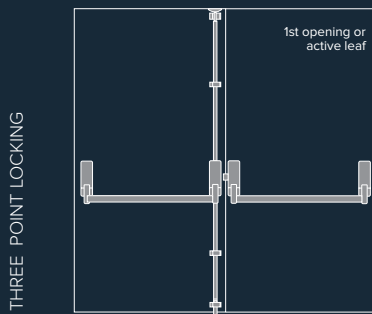
2 SELECT YOUR **DOOR CONFIGURATION** - SINGLE OR DOUBLE

3 DECIDE **LOCKING OPTIONS** SINGLE OR MULTI POINT

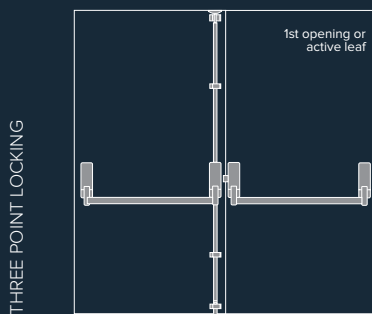
REBATED DOUBLE DOORS



EN 1125 PANIC ESCAPE DOORS IN PUBLIC AREAS

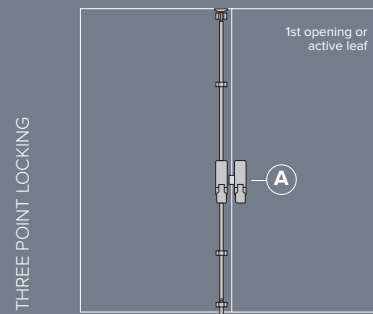


377
+ options (P.15)



376 + 378
+ options (P.12 & P.13)

EN 179 EMERGENCY ESCAPE DOORS IN NON-PUBLIC AREAS



372 + 1438
+ options (P.16 & P.17)

NOTE
Accessory required

A - 378DDS (see P.20)

Optional components are available to suit specific performance requirements. See the relevant pages for full details.

PANIC EXIT HARDWARE - EN1125

376 PANIC EXIT DEVICE WITH VERTICAL BOLTS

A surface mounted push bar panic exit device with vertical bolts operating top and bottom of the door.

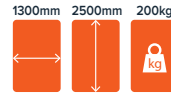
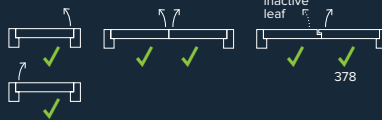
- Two point locking
- Anti-thrust prevents forced latch retraction
- Site reversible
- Adjustable top and bottom shoots



376.SE	Push bar vertical panic bolt	Silver
376M.SE	Push bar vertical panic bolt for metal doors	Silver

CERTIFIED APPLICATIONS

Suitable for all single doors and in combination on non-rebated double doors. For rebated double doors combine with Briton 378.

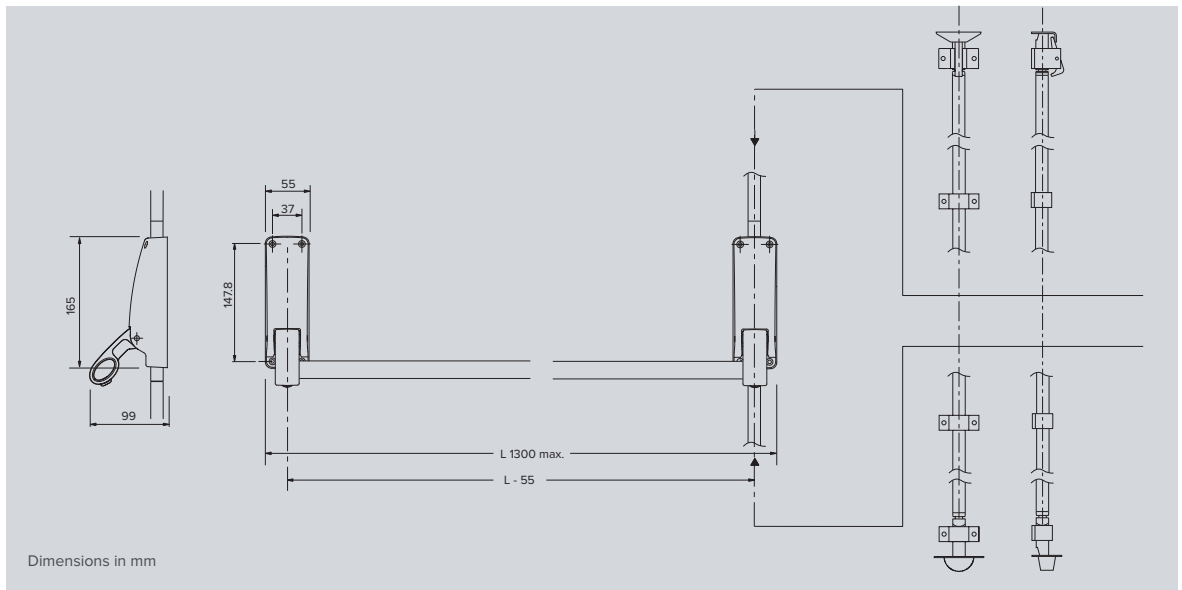


ADDITIONAL OPTIONS (see P.20)

370PLTM Pullman Kit	1413.LE Outside Access Device Lever Operated
376/1021 Dogging End Box	1413.KE Outside Access Device Knob Operated
380/1011 Alarm Box	9260 Digital Code Lock
376/ELTS Extra Long Shoot Bolts	
376FFKP Flush Face Keeper Plate	

SPARE PARTS (see P.22)

A range of spare and replacement parts is available for each panic and emergency exit device if required.



PANIC EXIT HARDWARE - EN1125

378 PANIC EXIT DEVICE WITH RIM LATCH

A surface mounted push bar panic exit device with single point rim latch.

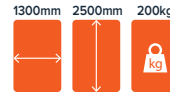
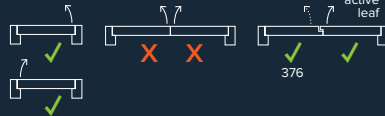
- Rim panic latch with single point latching
- Site reversible



378.SE	Push bar rim panic latch	Silver
378M.SE	Push bar rim panic latch for metal doors	Silver

CERTIFIED APPLICATIONS

Suitable for all single doors and in combination with Briton 376 on the active leaf of rebated double doors.

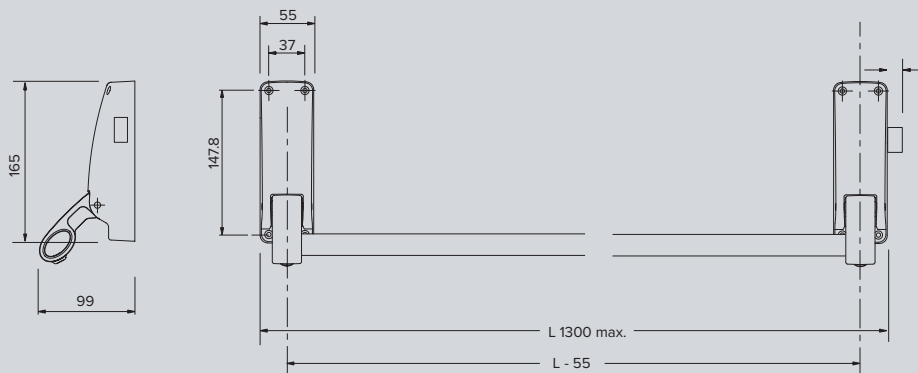


ADDITIONAL OPTIONS (see P.20)

- 376/1021 Dogging End Box
- 1413.LE Outside Access Device Lever Operated
- 1413.KE Outside Access Device Knob Operated
- 9260 Digital Code Lock

SPARE PARTS (see P.22)

A range of spare and replacement parts is available for each panic and emergency exit device if required.



Dimensions in mm

PANIC EXIT HARDWARE - EN1125

379.N PANIC EXIT WITH MORTICE NIGHTLATCH

A surface mounted push bar panic exit device operating a dual profile cylinder mortice nightlatch.

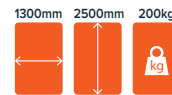
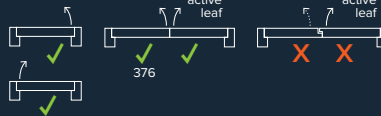
- Dual profile cylinder mortice nightlatch accepts euro and oval profile cylinders (cylinder not supplied)
- Nightlatch can be operated from outside by cylinder or other outside access device
- Anti-thrust prevents forced latch retraction
- Site reversible



379.N.SE	Push bar actuator with mortice nightlatch	Silver
379M.N.SE	Push bar actuator with mortice nightlatch - metal doors	Silver

CERTIFIED APPLICATIONS

Suitable for all single doors and, in combination with Briton 376, on the active leaf of non rebated double doors.

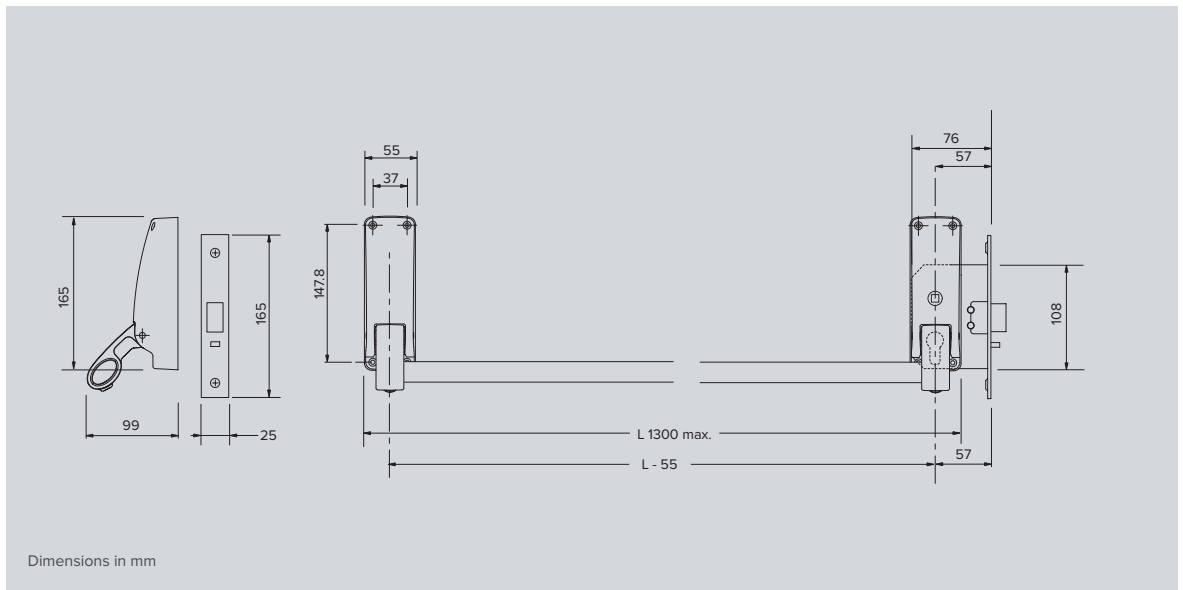


ADDITIONAL OPTIONS (see P.20)

- 376/1021 Dogging End Box
- 380/1011 Alarm End Box
- 1413.LE Outside Access Device Lever Operated
- 1413.KE Outside Access Device Knob Operated

SPARE PARTS (see P.22)

A range of spare and replacement parts is available for each panic and emergency exit device if required.



PANIC EXIT HARDWARE - EN1125

377 PANIC EXIT FOR REBATED DOUBLE DOORS

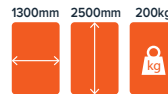
Surface mounted panic exit combination to suit rebated double doors.
Complete kit comprising of 376 vertical panic bolt, 378 rim panic latch and 378DDS double door strike.

- Three point locking
- Anti-thrust prevents forced latch retraction
- Site reversible
- Adjustable top and bottom shoots



377.SE	Push bar panic kit for rebated double doors	Silver
377M.SE	Push bar panic kit for metal rebated double doors	Silver

CERTIFIED APPLICATIONS
For rebated double doors only.



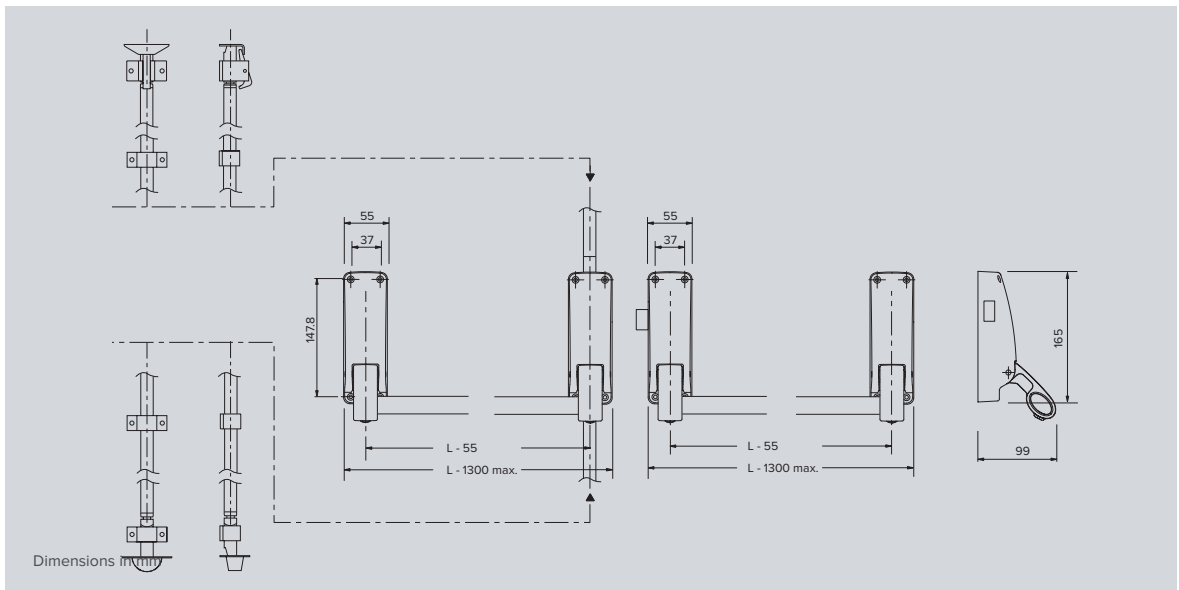
UK CA CE
EN Classification
3 7 6 B 1 3 2 2 A A

ADDITIONAL OPTIONS (see P.20)

370PLTM Pullman Kit	1413.LE Outside Access Device Lever Operated
376/1021 Dogging End Box	1413.KE Outside Access Device Knob Operated
380/1011 Alarm End Box	9260 Digital Code Lock
376.ELTS Extra Long Shoot Bolts	
376FFKP Flush Face Keeper Plate	

SPARE PARTS (see P.22)

A range of spare and replacement parts is available for each panic and emergency exit device if required. Please refer to Page xx for further details.



EMERGENCY EXIT HARDWARE - EN179

372 EMERGENCY EXIT WITH VERTICAL BOLTS

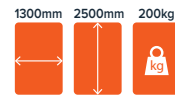
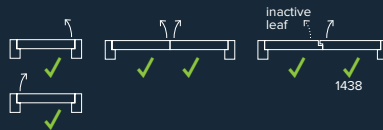
Surface mounted push pad operated emergency exit device with vertical bolts operating top and bottom of the door.

- Two point locking
- Anti-thrust latches prevent forced latch retraction
- Site reversible
- Adjustable top and bottom shoots



372.SE	Push pad vertical bolt	Silver
372M.SE	Push pad vertical bolt for metal doors	Silver

CERTIFIED APPLICATIONS
Suitable for all single doors and non-rebated double doors and in combination with Briton 1438 on the inactive leaf of rebated double doors.



UK CA CE
EN Classification
3 7 6 B 1 3 4 2 B A

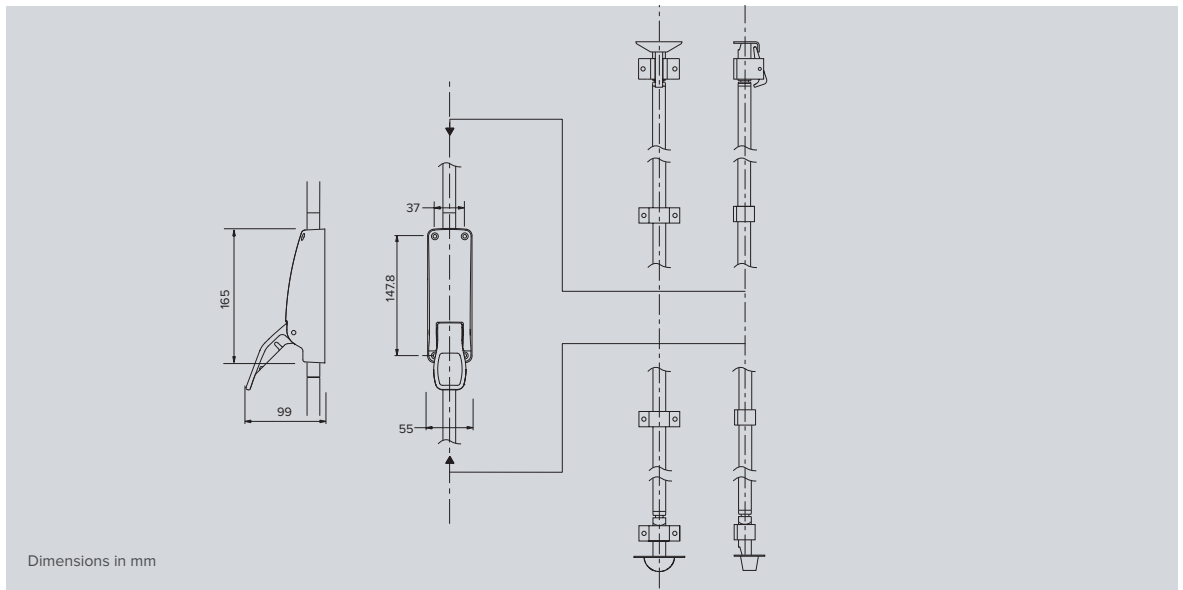
ADDITIONAL OPTIONS (see P.20)

- 370PLTM Pullman Kit
- 376/ELTS Extra Long Shoot Bolts
- 376FFKP Flush Face Keeper Plate

- 1413.LE Outside Access Device Lever Operated
- 1413.KE Outside Access Device Knob Operated
- 9260 Digital Code Lock

SPARE PARTS (see P.22)

A range of spare and replacement parts is available for each panic and emergency exit device if required.



EMERGENCY EXIT HARDWARE - EN179

1438 EMERGENCY EXIT DEVICE WITH RIM LATCH

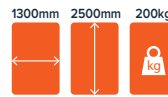
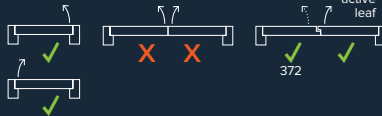
A surface mounted push pad emergency exit device with single point rim latch.

- Single point rim latch
- Site reversible
- Can be fitted with a rim cylinder for outside access



1438.SE	Push pad emergency exit latch	Silver
1438M.SE	Push pad emergency exit latch for metal doors	Silver

CERTIFIED APPLICATIONS
 Suitable for all single doors and in combination with Briton 372 on the active leaf of rebated double doors.

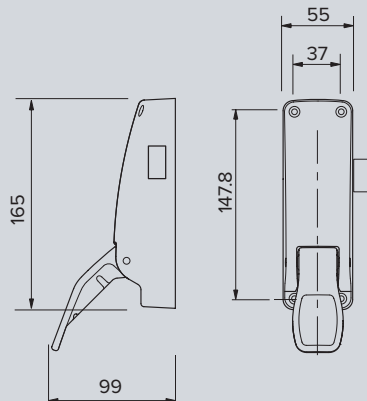


ADDITIONAL OPTIONS (see P.20)

- 1413.LE Outside Access Device Lever Operated
- 1413.KE Outside Access Device Knob Operated
- OG500.50 Rim Cylinder
- 9260 Digital Code Lock

SPARE PARTS (see P.22)

A range of spare and replacement parts is available for each panic and emergency exit device if required.



Dimensions in mm

EMERGENCY EXIT HARDWARE - EN179

389.N EMERGENCY EXIT DEVICE WITH MORTICE NIGHTLATCH

A surface mounted push pad emergency exit device operating a mortice cylinder nightlatch.

- Dual profile cylinder mortice nightlatch accepts euro and oval profile cylinders (cylinder not supplied)
- Nightlatch can be operated from outside by cylinder or other outside access device
- Anti-thrust prevents forced latch retraction
- Site reversible



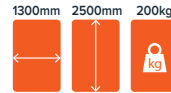
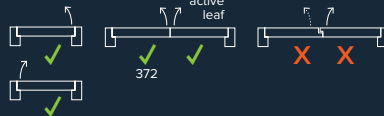
CF5506



389.N.SE	Push pad with mortice nightlatch	Silver
389M.N.SE	Push pad with mortice nightlatch for metal doors	Silver

CERTIFIED APPLICATIONS

Suitable for all single doors and in combination with Briton 372 on the active leaf of non rebated double doors.



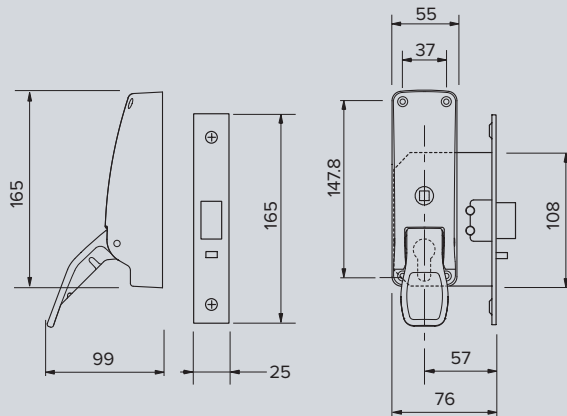
ADDITIONAL OPTIONS (see P.20)

1413.LE Outside Access Device Lever Operated

1413.KE Outside Access Device Knob Operated

SPARE PARTS (see P.22)

A range of spare and replacement parts is available for each panic and emergency exit device if required.



Dimensions in mm

OUTSIDE ACCESS

1413 OUTSIDE ACCESS BY KNOB OR LEVER

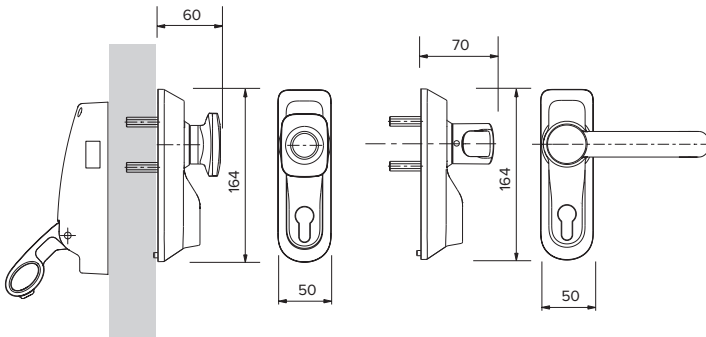
A series of outside access devices designed to be used with panic and emergency exit devices to provide a simple means of accessing the door from the outside.



- Available as lever or knob version
- Suitable for single & double doors (when fitted to first opening leaf)
- For doors 40mm to 100mm thick
- Supplied with 40mm euro profile cylinder
- Site reversible lever
- Lever meets requirement of BS8300
- Anti vandal clutch mechanism allows lever rotation



1413.KE.SE	Knob operated outside access device	Silver
1413.LE.SE	Lever operated outside access device	Silver



Please note, Briton 1413 outside access devices are certified for 2 hour on steel doors when used in conjunction with Briton 378 and Briton 1438.

9260 OUTSIDE ACCESS BY DIGITAL CODE LOCK

Outside access device with lever operation. Access is by 4 to 6 digit code.



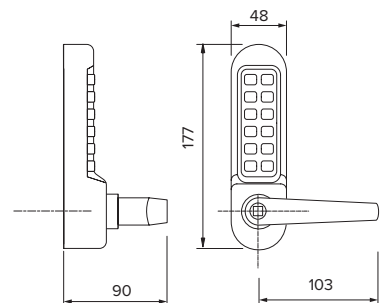
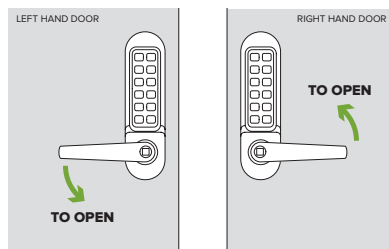
- Push button code lock with 2047 non sequential code options
- Suitable for single & double doors (when fitted to first opening leaf)
- Supplied with extra long spindles for doors 40mm to 70mm thick
- Reversible* lever operation for left or right hand (see note below)
- Code changed by removing the unit from the door



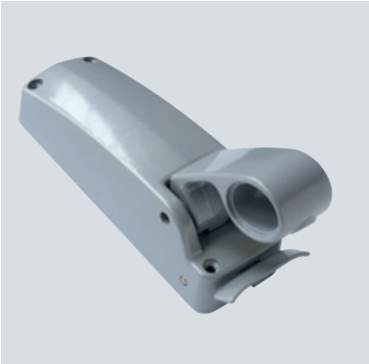
9260.SE	Push button code lock	Silver
---------	-----------------------	--------

*PLEASE NOTE:

This item is not compatible with 379N or 389N exit hardware. When used with 372 and 376 devices, the handle operating direction (anti-clockwise) cannot be reversed. See diagram opposite.



ACCESSORIES



376/1021 - DOGGING END BOX

Replacing the standard end box of the operating device with the dogging end box enables the bolts or latchbolt to be held in the withdrawn position to allow free passage. Suitable for panic devices only.



380/1011 - ALARM END BOX

A replacement end box incorporating a microswitch that allows standard models to be connected to a separate alarm system. Activated by movement of the push bar, it detects and alerts the user of any unauthorised activation.



370PLTM - PULLMAN LATCHES

Pullman latches offer increased security and provide a smooth latching action, a quiet alternative to the traditional top trip catch.

Pullman Fixing Kits supplied separately to upgrade existing installations.



378DDS - DOUBLE DOOR STRIKE

For use on double rebated doors with a rim panic latch on the first opening leaf and a vertical bolt on the second opening leaf.



376ELTS - EXTRA LONG TOP SHOOT

Extra long top shoots are designed to be used on doors that require the push bar to be in a lower position e.g. schools. It can also be used on doors that exceed 2500mm up to 3350mm high.



376FFKP - FLUSH FACE KEEPER PLATE

For flush fitting doors and frames a surface mounted flush face keeper plate can be used to secure the bolt.

ACCESSORIES



378MDS - METAL DOOR STRIKE

Metal door strike for use with **378** or **1438** rim devices on single doors, or on the first opening leaf of a double rebated application.



379MDS - METAL DOOR BOX STRIKE

Metal box strike for use with **379.N** or **389.N** mortice nightlatch.



376MDS - METAL DOOR STRIKE

For vertical panic bolts. Comprises 2 strike plates and 1 trip plate to activate the top tripper.



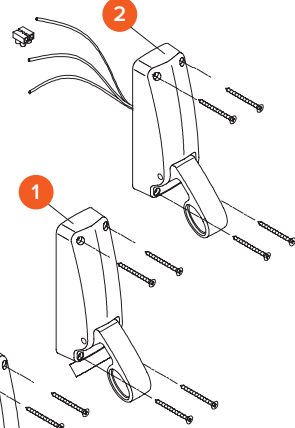
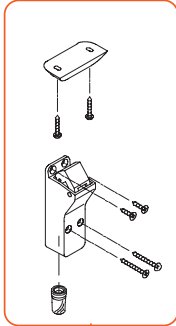
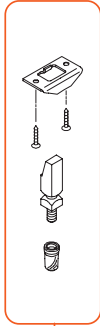
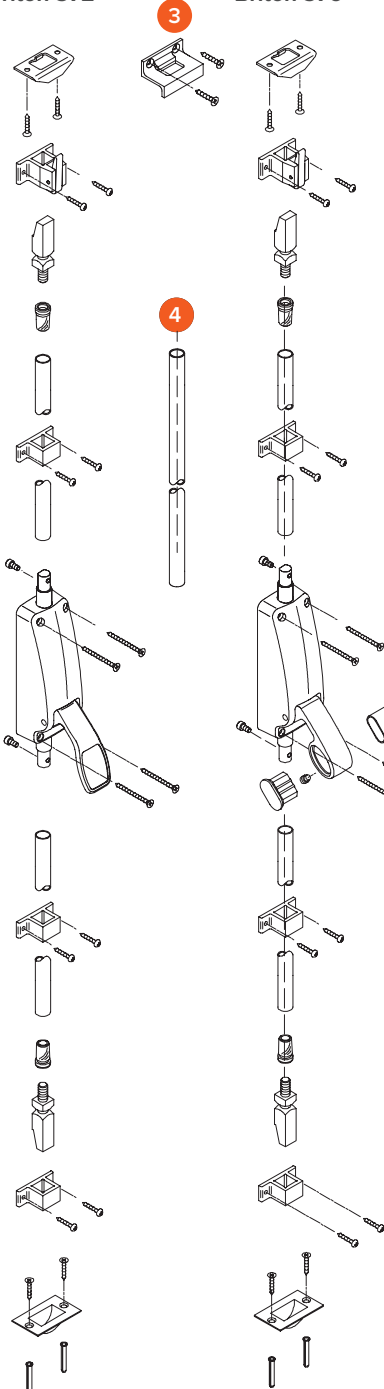
All Briton exit devices are supplied with self-tapping screws suitable for timber and metal doorsets.

For customers who prefer machine screws, alternative fixing packs are available.

PARTS & FIXING KITS

Briton 372

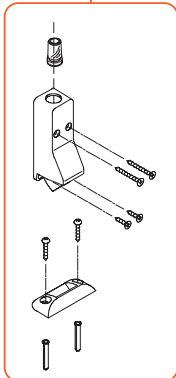
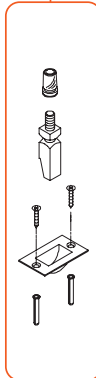
Briton 376



Push bar to open


370PT
370PM


370PLTM



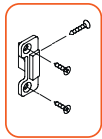
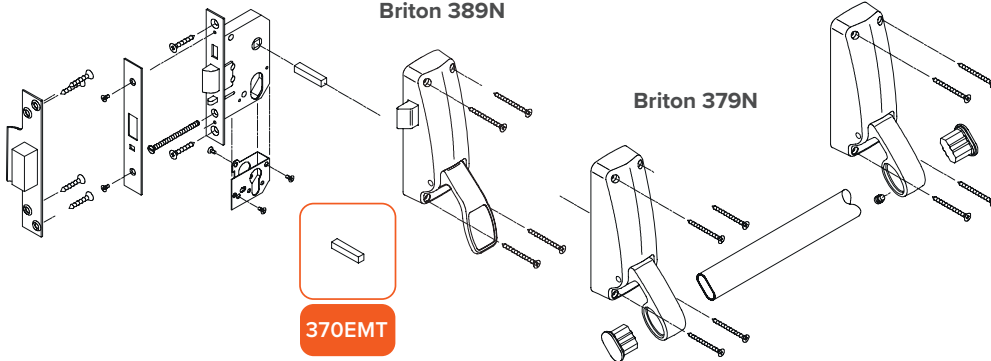
KEY TO ILLUSTRATIONS

These illustrations show the standard components which are included with each boxed product.

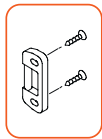
 Alternative or accessory parts as shown on page 20

 Fixing Kits to replace standard components

Briton 379N & 389N

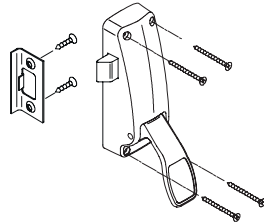


370EM

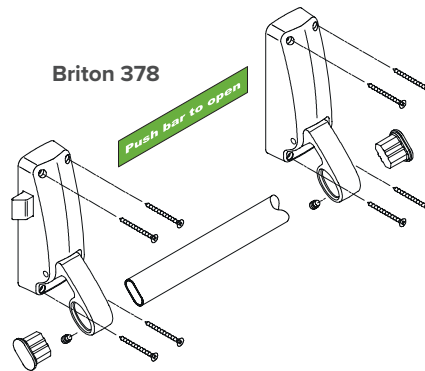


370ET

Briton 1438



Briton 378



- 1
- 2
- 3
- 4

Part No.	Description
376/1021	Dogging end box (376 & 378 only)
380/1011	Alarm end box (376 & 378 only)
376FFKP	Flush face keeper plate (372 & 376 only)
376ELTS	Extra long top shoot (372 & 376 only)
370PT	Panic Bolt Fixing Kit (Timber doors) (372 & 376 only) Incl. Tapered shoot plug (x2) Shoot end plug (x2) Top keeper plate Easy clean floor socket
370PM	Panic Bolt Fixing Kit (Metal doors) (372 & 376 only) Incl. Tapered shoot plug (x2) Shoot end plug (x2) Top keeper plate Easy clean floor socket
370PLTM	Pullman Fixing Kit (372 & 376 only) incl. Tapered shoot plug (x2) Pullman assembly (x2) Pullman keeper plate (x2)
370EM	Emergency Exit Latch Fixing Kit for metal doors (378, 377 and 1438 only)
370EMT	Emergency Mortice Latch Fixing Kit (389, 379)
370ET	Emergency Exit Latch Fixing Kit for timber doors (378, 377 and 1438 only)

Part No.	Description
376/920/ZP	Timber door screw pack (376/372/377)
376/919/ZP	Metal door screw pack (376/372/377)
378/920/ZP	Timber door screw pack (378/1438/377)
378/919/ZP	Metal door screw pack (378/1438/377)
379/940/ZP	Timber door screw pack (379/389)
379/919/ZP	Metal door screw pack (379/389)
376/940/ZP	Pullman screw pack - timber doors
376/949/ZP	Pullman screw pack - metal doors

TECHNICAL DETAIL

Panic and emergency exit hardware play a vital role in a building's escape route and it is important that these devices are installed, inspected and maintained regularly to ensure safety at all times.

INSTALLATION

Comprehensive installation instructions are provided with all Briton 370 Series exit devices.

To maximise the efficiency and life cycle of these products it is important to follow the installation guidance carefully to achieve an accurate installation.

To meet the European standard, the door and frame must be in a good condition, correctly hung and not distorted.

We recommend verifying the door construction before installation to ensure it allows for the use of the device.

MAINTENANCE

To ensure performance in accordance with EN 1125 and EN 179 the following routine maintenance checks should be undertaken at regular intervals.

- Inspect and operate the exit device to ensure it functions correctly
- Check that keepers are free from obstruction
- Secure any fixings that may have worked loose
- Any damaged components must be replaced immediately.

To assist in keeping these products fully operational spare part kits are available.

Briton 0376/428/00
Revision C

INSTALLATION INSTRUCTIONS

PUSH BAR PANIC BOLT DEVICE TO EN 1125 : 2008 **EMERGENCY PUSH PAD BOLT DEVICE TO EN 179 : 2008**

MAXIMUM CLEAR OPENING HEIGHT WITH PUSH BAR PUSH PAD AT 1000mm HEIGHT = 2415mm.
Push Bar/Push Pad height may be reduced where children will be the majority of the users.
This will reduce above stated clear opening height and an extended top shoot may be required.

MAX. CLEAR OPENING WIDTH
2310mm - SINGLE DOOR
2420mm - PAIR OF DOORS

TO COMPLY WITH THE ABOVE STANDARDS, DOOR LEAF MUST NOT EXCEED 2500mm HIGH X 1300mm WIDE X 200KG WEIGHT MAX.

IMPORTANT: THE SAFETY FEATURES OF THESE PRODUCTS ARE ESSENTIAL TO THEIR COMPLIANCE WITH THE ABOVE STANDARDS. NO MODIFICATIONS OF ANY KIND, OTHER THAN THOSE DESCRIBED IN THESE INSTRUCTIONS ARE PERMITTED.

THIS PRODUCT IS INTENDED FOR USE ON SINGLE AND / OR DOUBLE LEAF OUTWARD OPENING FIRE ESCAPE ROUTE DOORS.

NOTE: These devices are self handing and will suit either Right or Left hand doors without alteration.

INSTALLATION

- 1) Fix Bolt Box to door for required Push Bar/Push Pad height, and at a distance from frame or leading edge of door according to application.
See Diagram 1
NOTE A: If installing an Outside Access Device mark and prepare door and fix as per separate instructions provided.
NOTE B: Where the device is fitted to a double doorset with rebated meeting stiles, a co-ordinator should be fitted to ensure correct closing sequence. In such case relevant detail in DIAGRAM 1 may vary.
Refer to instruction provided with co-ordinator.
- 2) Accurately measure dimensions 'A' & 'B', deduct the amounts shown and cut Top and Bottom Shoots to length.
See Diagram 2
- 3) Drive Knurled Shoot Plugs into cut ends of Shoots. Support uncut end of Shoots on block of wood to prevent damage.
See Diagram 3

ADDITIONAL INSTALLATION REQUIREMENTS

- Before installation ensure door and frame are in good condition, correctly hung and not distorted
Note - Maximum door distortion of 5mm to ensure safe exit.
- It is not recommended that exit devices be fitted to hollow core doors unless specially designed for this type of door.
- It is recommended to verify that the door construction allows the use of the device, i.e. to verify that offset hinges and engaging leaves allow both leaves to be opened simultaneously, or to verify that the gap between door leaves does not differ from that defined by the exit device producer, or to verify that the opening elements do not interfere, etc.
- Before fitting an emergency exit device to a fire/smoke resisting door, the fire certification of the fire door assembly on which the exit device has been tested to prove suitability for use on a fire door should be examined. It is of utmost importance that an exit device is not used on a fire door assembly of a greater fire resistance time than approved for.
- Care should be taken to ensure that any seals or weather-stripping fitted to the complete door assembly does not inhibit the correct operation of the emergency exit device.
- On double door sets with rebated meeting stiles and where both leaves are fitted with emergency exit devices, it is essential to check that either leaf will open when its emergency exit device is activated and also that both leaves will open freely when both emergency exit devices are operated simultaneously.
- Category 2 (Standard projection) emergency exit devices should be used in situations where there is restricted width for escape, or where the doors to be fitted with the emergency exit devices are not able to open beyond 90°
- Different fixing can be necessary for fitting emergency exit devices to wood, metal or frameless glass doors. For more secure fixing, male and female through-door bolts, reinforcement and rivets can be used.
- These exit devices are not intended for use on double action (double swing) doors.
- These fixing instructions should be carefully followed during installation. These instructions and any maintenance instructions should be passed on by the installer to the user.
- When installing lever operating emergency exit devices, particularly on doors with raised or recessed surfaces, consideration should be given to minimizing any potential safety risks, such as the trapping of fingers or clothing.
- The bolt heads and keepers should be fitted to provide secure engagement. Care should be taken to ensure that no projection of the bolt heads, when in the withdrawn position, can prevent the door swinging freely.
- Where emergency exit devices are to be fitted to double doorsets with rebated meeting stiles and self closing devices, a door coordinator device in accordance with EN 1158 should be fitted to ensure the correct closing sequence of the doors. This recommendation is particularly important with regard to smoke/fire-resisting door assemblies.
- No devices for securing the door in the closed position should be fitted other than specified in EN 1125 / EN 179. This does not preclude the installation of self-closing devices.
- If a door closing device is to be used to return the door to the closed position, care should be taken not to impair the use of the doorway by the young, elderly and infirm.
- Where applicable, the "Push to open" sign should be applied on the inside face of the door immediately above the operating element.



UKCA & CE CERTIFICATION

To assist with product selection all Briton panic and emergency exit devices are supplied with full product information, including UKCA & CE Certificates, Declaration of Performance (DoP), Certifire certification and product datasheets, showing that they comply with the necessary harmonised standards. Copies are available to download from our website: www.briton.co.uk

FIRE RATING

Products within the Briton 370 Series have been included in successful fire tests to EN 1634-1 for use on fire doors up to 2hr timber and 4hr steel (please refer to full certification details), and are Certifire approved for performance, quality, reliability and traceability.

Contact Technical Support on **0800 834102** for the precise field or application details.

CONSTRUCTION

Main box and End box assemblies are manufactured from die cast aluminium with a powder coated finish as standard. Vertical shoot bolts and shoot end mechanisms are steel. Latch bolts on 378 and 1438 units are brass.

SPECIAL APPLICATIONS

As standard, units are suitable for use on door leaves with the dimensions shown for each variant. For any applications outside these parameters please contact technical support who will be able to advise and assist with product selection for non-standard installations.

TECHNICAL SUPPORT

Our technical support team is available to offer guidance and assistance on:

- Product selection
- Installation
- Troubleshooting

- Ancillary products and spare parts

Freephone **0800 834102** or email technicalsupportuk@allegion.com

GUARANTEE

We are committed to supplying the highest quality products and provide a 5-year guarantee against defects due to faulty manufacturing, workmanship or defective material. We agree to replace any Briton panic and emergency exit hardware proved defective free of charge provided the product has been fitted in accordance with the fittings instructions and maintained correctly.

SUPPLY & QUOTATIONS

For your local stockist please contact the Customer Care Team on **+44 (0) 330 8080 617** or email customersupportuk@allegion.com





About Allegion

Allegion (NYSE: ALLE) is a global pioneer in seamless access, with leading brands like CISA®, Interflex®, LCN®, Schlage®, SimonsVoss® and Von Duprin®. Focusing on security around the door and adjacent areas, Allegion secures people and assets with a range of solutions for homes, businesses, schools and institutions.

For more, visit allegion.com

Allegion (UK) Limited

35 Rocky Lane
Aston
Birmingham
B6 5RQ

Tel: +44 (0) 330 8080 617
Email: contactuk@allegion.com
Web: briton.co.uk

