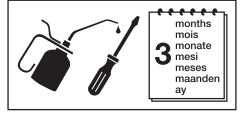
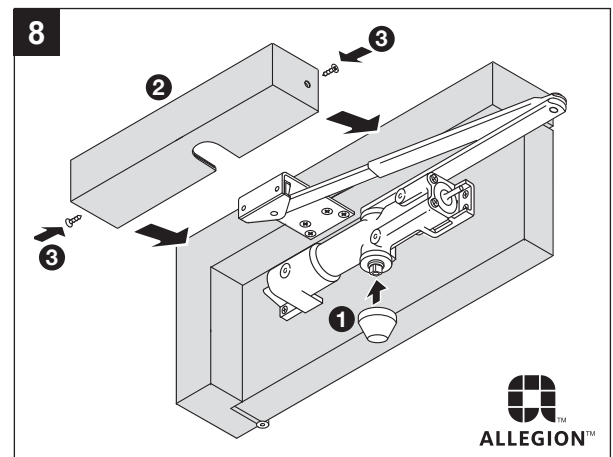
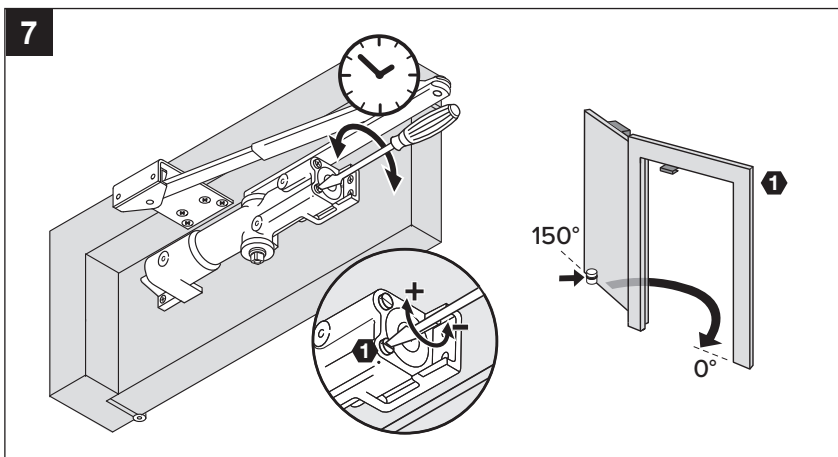
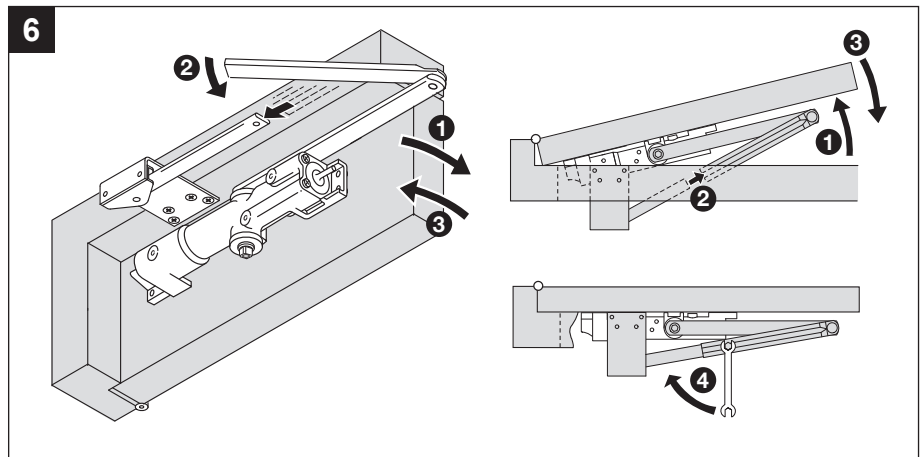
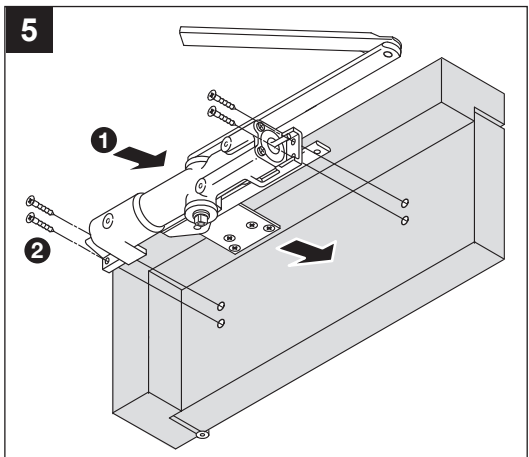
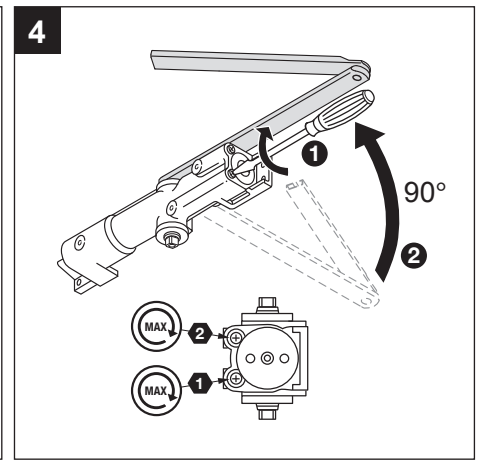
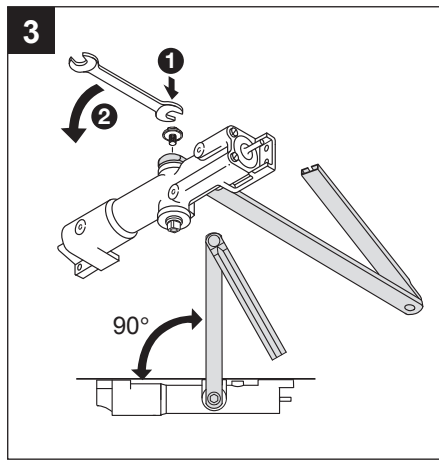
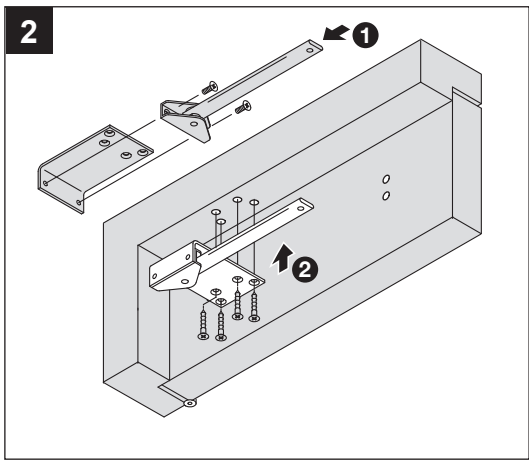
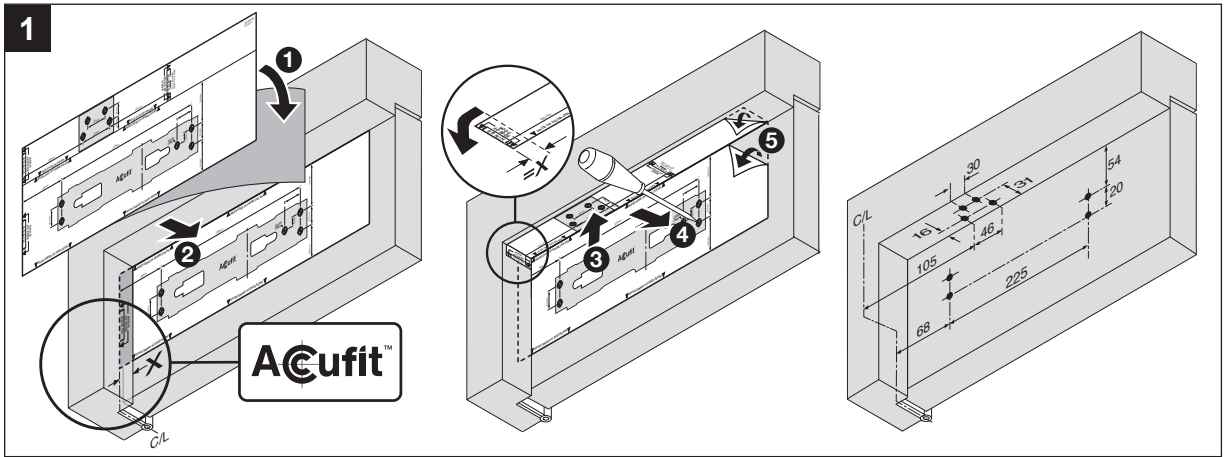
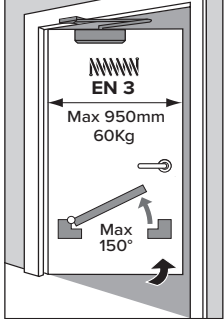


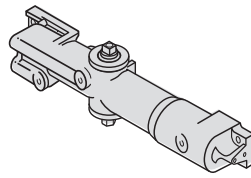
CE	Allegion (UK) Limited 35 Rocky Lane, Aston, Birmingham, B6 5RQ, UK
2812-CPR-AD0013	05
EN1154:1996+A1:2002	3 8 3 1 1 3
Dangerous Substances: None	
UK CA	1121-CPR-UK- AD7576
	21



CE **UK
CA**
certifire_{CF111}

FIG.66





CE	Allegion (UK) Limited 35 Rocky Lane, Aston, Birmingham, B6 5RQ, UK
2812-CPR-AD0013	05
EN1154:1996-A1:2002	3 8 3 1 1 3
Dangerous Substances: None	
UK CA	1121-CPR-UK- AD7576
	21

